

**PARTS FOR AJC,
GROUNDHOG
AND BOSS CABINS**



WELFARE PARTS CATALOGUE

**RIGHT PART,
ON TIME,
EVERY TIME.**

98% OTIF DELIVERED ON TIME
& IN FULL



**ORDER BY 4:30PM
FOR NEXT DAY
DELIVERY**

WELCOME TO OUR WELFARE PARTS CATALOGUE

ALL THE SPARE PARTS YOU NEED TO MAINTAIN
AND SERVICE YOUR WELFARE CABINS

Keeping your fleet on the road.

A fast growing range of parts and spares to keep your fleet of welfare cabins out on site and ready for hire.

We stock spares for well known brands such as AJC, Boss and Groundhog. Our simple catalogue splits the spares into three different sections for each of the leading cabin brands. If you can't find a specific part, email sales@ate-uk.com or call us on 01206 795949 and our friendly team will be happy to assist.

OUR SERVICES



DELIVERY24

Place your orders before 4.30pm Monday - Friday for next working day delivery. Guaranteed for UK Mainland customers only. Only on stocked lines.



PARTSFINDER

Use our PartsFinder feature on our website to identify the parts you need. Simply enter the machine make and model and let the website do the work!



PARTSCHAT

Discuss your requirements to select the right part using our website live chat PartsChat. You can even WhatsApp us direct on 01206 585439.

**IF YOU CAN'T SEE WHAT YOU
WANT OUR TEAM ARE ON-HAND
TO HELP OFFER SOLUTIONS TO
THE CHALLENGES YOU FACE.**

CONTENTS

AJC CABIN SPARES

PAGE 5

Spare parts for AJC welfare cabins

GROUNDHOG CABIN SPARES

PAGE 30

Spare parts for Groundhog welfare cabins

BOSS CABIN SPARES

PAGE 54

Spare parts for Boss welfare cabins

WHEELSENTRY

HOW IT WORKS



OUT OF LINE =
Loose Wheel Nuts



ALL IN LINE =
Secure Wheel Nuts



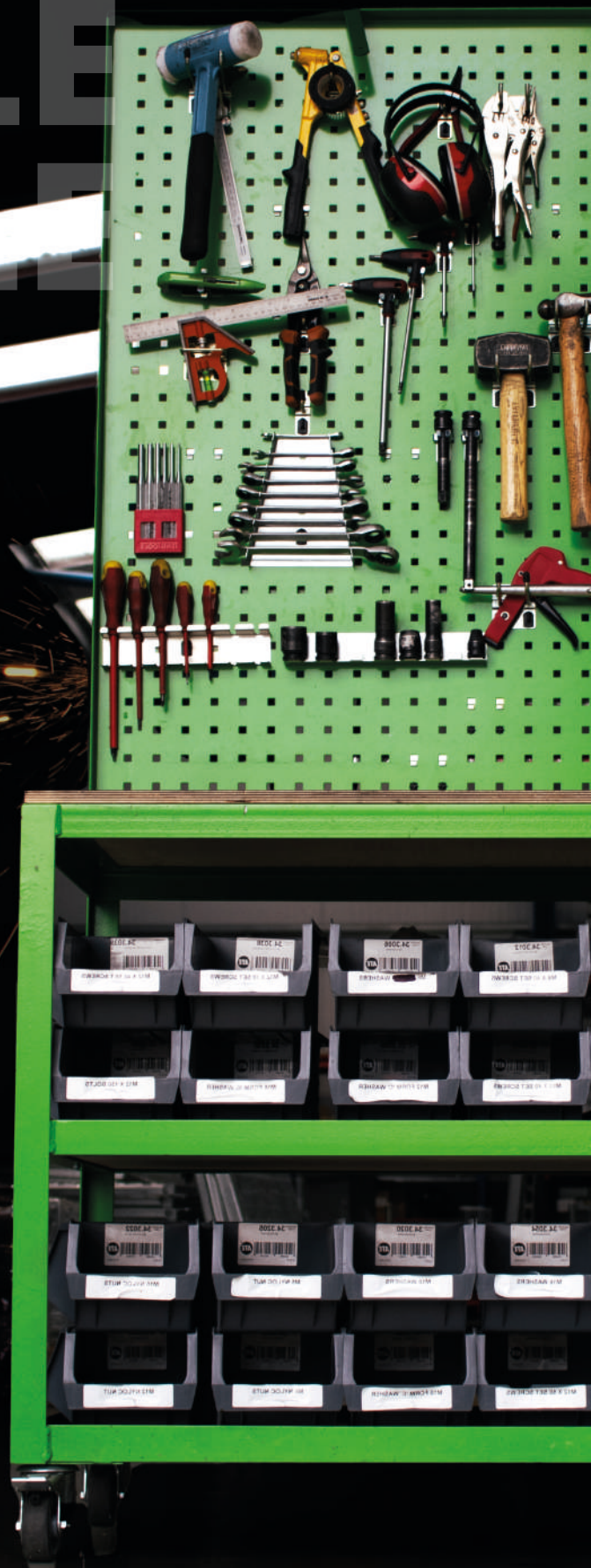
2 IN 1
& INDICATOR
& RETAINER

VERSATILE
DURABLE
RELIABLE



THE WORKSHOP TROLLEY

The perfect solution to organise your workshop tools and consumables. A metal trolley with shelving and slots for all your tools.



38.4103

AJC CABIN SPARES

CHASSIS & RUNNING GEAR	PAGE 6
EXTERNAL LIGHTING & TOWING ELECTRICS	PAGE 13
INTERNAL LIGHTING	PAGE 17
ELECTRICS 12V & 240V	PAGE 17
ENGINE & GENERATOR ROOM PARTS	PAGE 19
HYDRAULICS	PAGE 24
WATER FITTINGS & TOILET ROOM PARTS	PAGE 25
HEATING PARTS	PAGE 26
CABIN FITTINGS	PAGE 27

LETS STAY
CONNECTED



ALKO CAST A-FRAME COUPLING SPARES



**TO SUIT
20' UNIT**

**TO SUIT
22' UNIT**

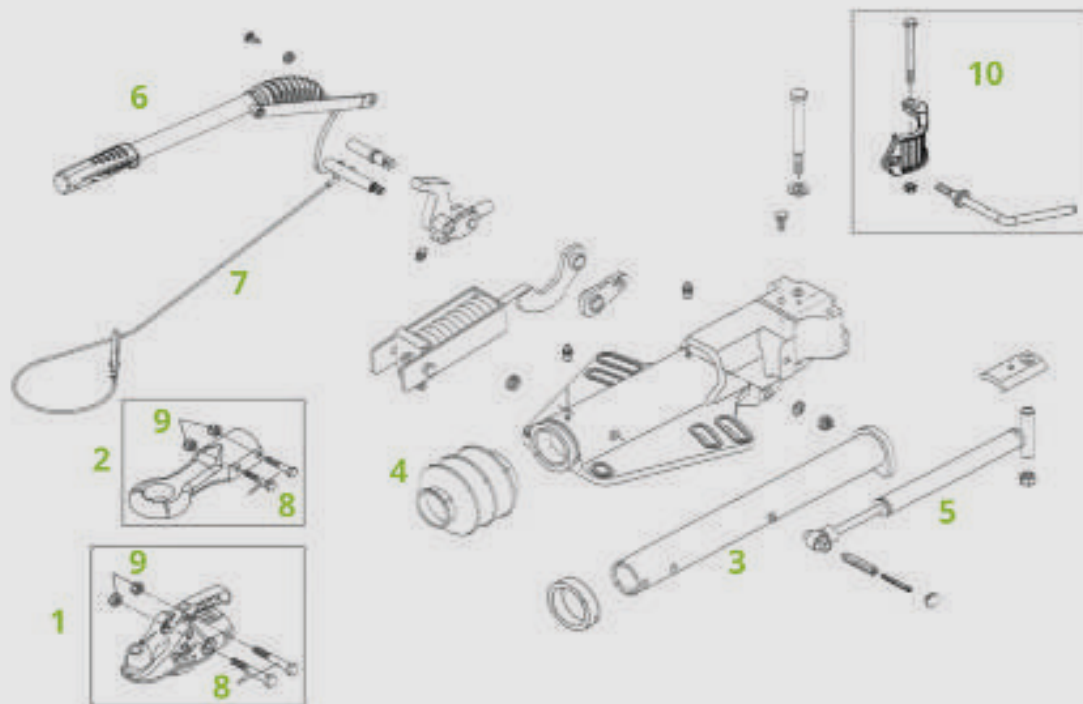
V PROFI 3000

V PROFI 3500

Coupling Assembly
w/ 50mm Head

13.0034

13.0032



**TO SUIT
20' UNIT**

**TO SUIT
22' UNIT**

**TO SUIT
20' UNIT**

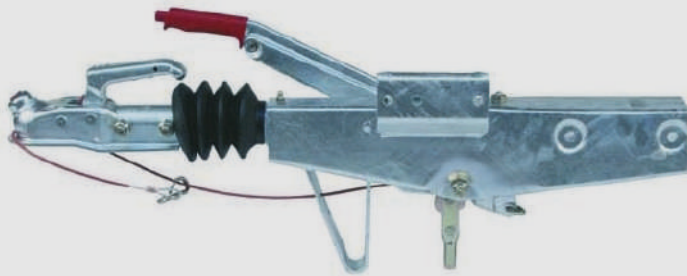
**TO SUIT
22' UNIT**

DESC	V PROFI 3000	V PROFI 3500
1 50mm Head	14.0076	14.0055
2 40mm Eye	14.0072	14.0084
3 Drawtube To Suit 50mm Head	14.0050	14.0085
* Drawtube To Suit 40mm Eye	14.0013	-
4 Bellows	14.0025	14.0057
5 Damper	14.0041	14.0086

DESC	V PROFI 3000	V PROFI 3500
6 Handbrake Lever w/ Gas Strut	14.0083	14.0083
7 Breakaway Cable	14.6004	14.6004
8 Bolts To Suit Heads & Eyes	34.3056	34.3056
9 Nuts To Suit Heads & Eyes	34.3053	34.3053
10 Jockey Wheel Clamp Bracket	15.3023	15.3023

ALKO SQUARE TUBE COUPLING SPARES

TO SUIT
12' UNIT

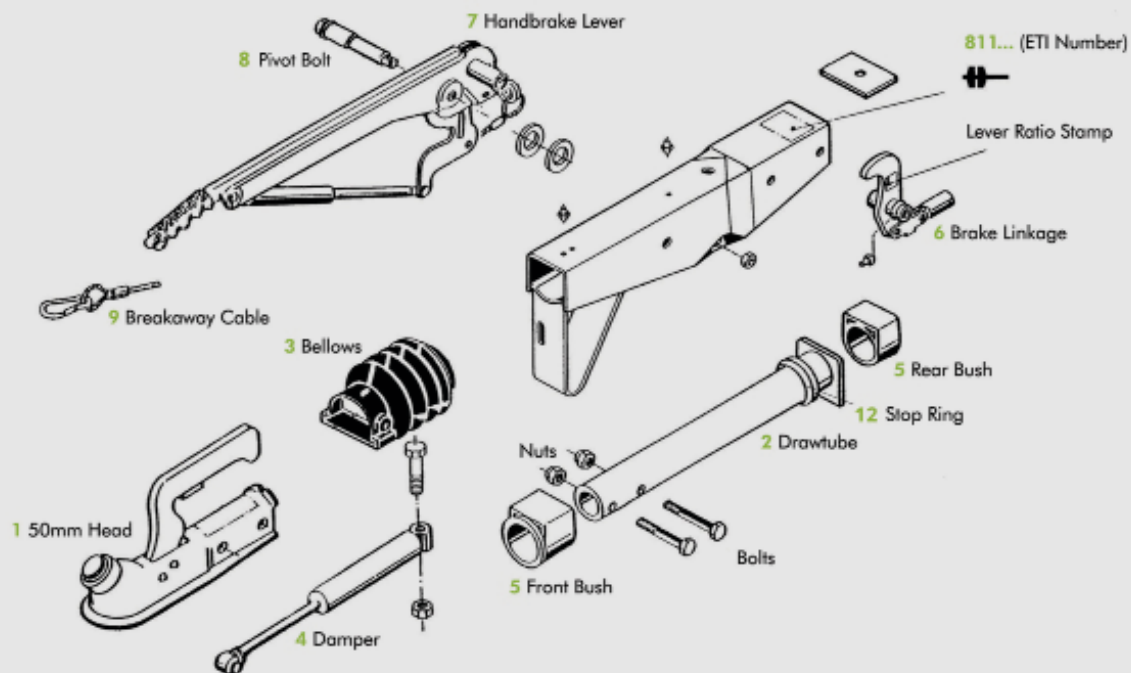


251S

Coupling Assembly
w/ 50mm Head

13.0011

TO SUIT
12' UNIT



DESC	251S
1 50mm Head	14.0018
* Alko Cast Locking Head	14.0076
* Barrel Lock to suit Alko Head	14.0075
* 40mm Din Eye	14.0001
* 40mm Standard Eye	14.0072
* 50mm Standard Eye	14.0065
2 Drawtube - Head	14.0050
2 Drawtube - Eye	14.0013
3 Bellows	14.0025
4 Damper - Head	14.0041

DESC	251S
4 Damper - Eye	14.0051
5 Front and Rear Bush Set	14.0026
6 Brake Linkage	**
7 Handbrake Lever with Gas Strut	14.0030
8 Handbrake Pivot Bolt	14.0062
9 Breakaway Cable	14.6001
* Bolt	34.3043
* Nuts	34.3036
12 Stop Ring	14.0071

ALKO A-FRAME COUPLING SPARES

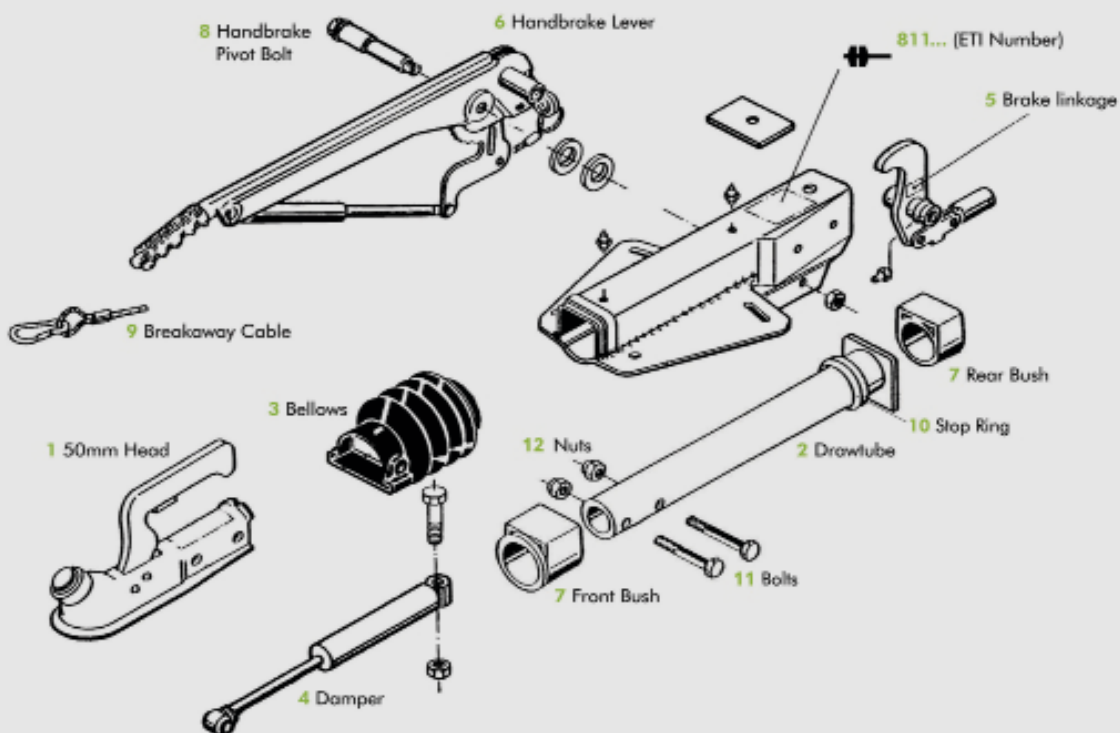
TO SUIT
16' UNIT



251S

Coupling Assembly
w/ 50mm Head

13.0033



TO SUIT
16' UNIT

DESC	251S
1 50mm Head	14.0018
* Cast Locking Head	14.0076
* Barrel Lock to suit 50mm Head	14.0075
* 40mm DIN Eye	14.0001
* 40mm Standard Eye	14.0072
* 50mm Standard Eye	14.0065
2 Drawtube - Head	14.0050
2 Drawtube - Eye	14.0013
3 Bellows	14.0025
4 Damper - Head	14.0041

DESC	251S
4 Damper - Eye	14.0051
5 Brake Linkage	14.0079
6 Handbrake Lever with Gas Strut	14.0030
7 Front & Rear Bush Set	14.0026
8 Handbrake Pivot Bolt	14.0040
9 Breakaway Cable	14.6001
10 Stop Ring	14.0071
11 Bolts	34.3043
12 Nuts	34.3036

Jockey Wheel Bracket

TO SUIT
12' UNIT

TO SUIT
16' UNIT



Code

15.3002 Alko 48mm Cast Bracket

Brake Rod



Code

16.0002 3m M10 Threaded Rod

Alko Axle Compensator Kit

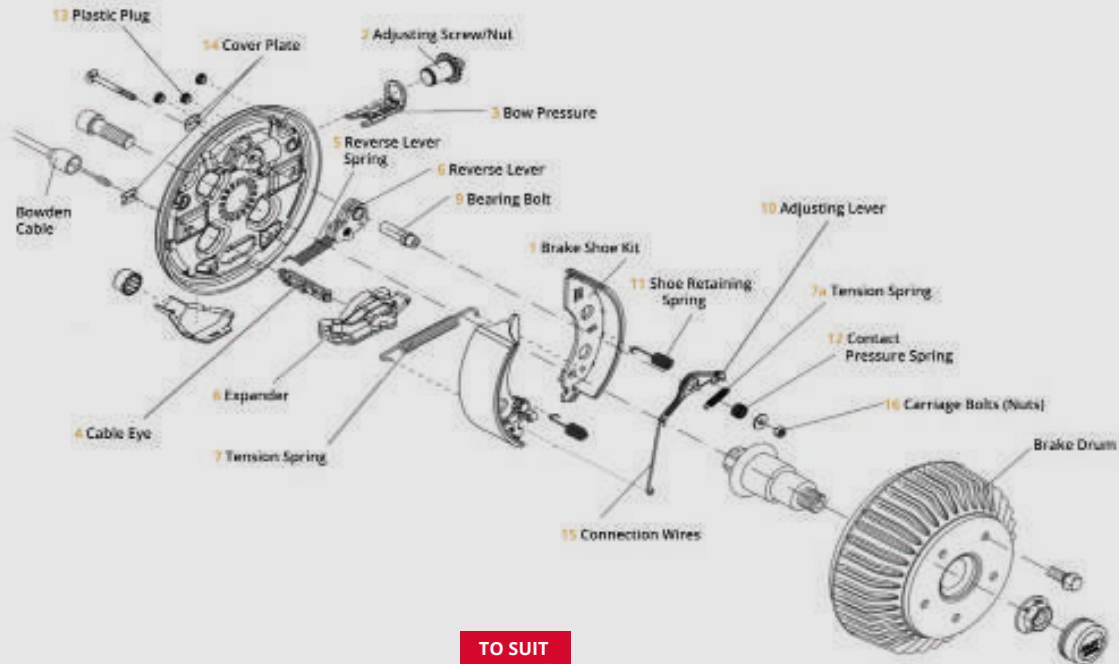
TO SUIT
12' UNIT



Code

16.0022 Alko Single Axle Compensator Kit

Alko Brakes



DESC	TO SUIT	
	20' UNIT	22' UNIT
1 Genuine Brake Shoe Kit (Axle Set)	17.0002G	17.0003G
1 Alko Type Brake Shoe Kit (Axle Set)	17.0002	17.0003
* Backplate	n/a	n/a
* Brake Cable	See pg 9	See pg 9
4 Cable Eye - Cast Version	17.1010	17.1010
5 Reverse Lever Spring L/H	17.0008	17.0008
5 Reverse Lever Spring R/H	17.0008	17.0008
6 Reverse Lever Assembly L/H	17.0014	17.0014
6 Reverse Lever Assembly R/H	17.0013	17.0013

DESC	TO SUIT	
	20' UNIT	22' UNIT
7 Tension Spring	17.0019	17.0019
8 Expander	17.0015	17.0015
9 Bearing Bolt	17.0021	17.0021
* Split Pin	17.0023	17.0023
11 Shoe Steady Spring / Retaining Spring	17.0010	17.0010
* Adjuster Assembly Complete	17.0004	17.0004
13 Plastic Plug	17.0022	17.0022
14 Cover Plate	17.0011	17.0011
* Half Shell	17.0016	17.0016

Alko 4-Way Compensator

TO SUIT
20' UNIT

TO SUIT
22' UNIT



Code

16.0004A Alko 4-Way Compensator

Alko 300 x 60 Brake Shoe Kit (Axle Set)

TO SUIT
16' UNIT



Code

17.0039 Genuine Alko 300 x 60 Brake Shoe Kit (Axle Set)

Alko Genuine Brake Cable

TO SUIT
16' UNIT



Code

18.0020 Alko Genuine Brake Cable (Outer 1340mm | Inner 1600mm)

Alko Type Long Life Brake Cable - New Type

TO SUIT
12' UNIT

TO SUIT
20' UNIT

TO SUIT
22' UNIT



Code

18.0009 Alko Type Long-Life Brake Cable - New Type (Outer 1320mm | Inner 1516mm)

Alko Genuine Long-Life Brake Cable

TO SUIT
12' UNIT

TO SUIT
20' UNIT

TO SUIT
22' UNIT



Code

18.0019 Alko Genuine Long-Life Brake Cable - New Type (Outer 2100mm | Inner 2296mm)

Alko 200 x 50 Brake Drum w/ Bearing

TO SUIT
20' UNIT



Code

19.0025 Alko 200 x 50 (5 Stud 112mm PCD) Brake Drum

Alko 230 x 60 Brake Drum w/ Bearing

TO SUIT
12' UNIT

TO SUIT
22' UNIT



Code

19.0028 Alko 230 x 60 (5 Stud 112mm PCD) Brake Drum

Alko 3062 Brake Drum w/ Bearing

TO SUIT
16' UNIT

IMAGE
COMING
SOON

Code

19.0032 Alko 3062 (6 Stud 205mm PCD) Brake Drum

Taper Roller Bearing (32008)

TO SUIT
16' UNIT



Code

20.0012 Taper Roller Bearing (32008)

Taper Roller Bearing (30211A)

**TO SUIT
16' UNIT**



Code

20.0038 Taper Roller Bearing (30211A)

Oil Seal (65 x 100 x 10)

**TO SUIT
16' UNIT**

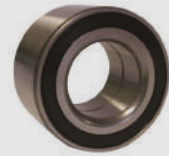


Code

ZZ4629 Oil Seal (65 x 100 x 10)

SFL Bearing (39 x 27 x 37)

**TO SUIT
20' UNIT**



Code

20.1003 Sealed For Life Bearing (39 x 27 x 37)

SFL Bearing (42 x 80 x 42)

**TO SUIT
12' UNIT**

**TO SUIT
22' UNIT**



Code

20.1004 Sealed For Life Bearing (42 x 80 x 42)

Alko 55mm Grease Cap

**TO SUIT
20' UNIT**



Code

21.0002 Alko 55mm Grease Cap

Alko 65mm Grease Cap

**TO SUIT
12' UNIT**

**TO SUIT
22' UNIT**



Code

21.0003 Alko 65mm Grease Cap

Alko 70mm Grease Gap

**TO SUIT
16' UNIT**



Code

ZZ6173 Alko 70mm Grease Gap

M12 x 1.5 Conical Wheel Bolt

**TO SUIT
12' UNIT**

**TO SUIT
20' UNIT**

**TO SUIT
22' UNIT**



Code

21.1003 M12 x 1.5 Conical Wheel Bolt

Alko M18 Wheel Stud

**TO SUIT
16' UNIT**



Code

ZZ6178 Alko M18 Wheel Stud

M18 Spherical Wheel Nut

TO SUIT
16' UNIT



Code

21.2002 M18 Spherical Wheel Nut

19mm Double Pointer Wheel Sentry Kit

TO SUIT
12' UNIT

TO SUIT
20' UNIT

TO SUIT
22' UNIT



Code

21.2292 19mm Double Pointer Wheel Sentry Kit (5 Stud 112mm PCD) C/W Safe Band - Set To Suit 4 Wheels

27mm Wheel Sentry Kit

TO SUIT
16' UNIT



Code

21.2050 27mm Wheel Sentry Kit (6 Stud 205mm PCD) C/W Safe Band - Set To Suit 4 Wheels

Universal One Shot Hub Nut

TO SUIT
20' UNIT



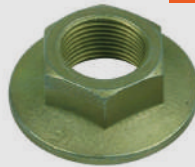
Code

21.3001 Universal One Shot Hub Nut (M24 x 1.5mm)

Alko M28 Axle Nut

TO SUIT
12' UNIT

TO SUIT
22' UNIT



Code

21.3002 Alko M28 Axle Nut

Alko M33 Castle Nut

TO SUIT
16' UNIT



Code

21.3030 Alko M33 Castle Nut

Alko Hydraulic Raise / Lower Axle

TO SUIT
12' UNIT



Code

22.1065 Alko Hydraulic Raise / Lower Axle (1800kg | 1660mm OHF | 5 Stud 112mm PCD)

MON - FRI: 7:30AM - 4:30PM

Select collection when you place your order and pick up from our Head Office at Haven Road:

ATE (UK) LTD

& CLICK COLLECT

**195R14 (5 Stud
112mm PCD)
W/T Assembly**



**TO SUIT
12' UNIT**

**TO SUIT
20' UNIT**

**TO SUIT
22' UNIT**

Code

25.0062 195R14 (5 Stud 112mm PCD) Wheel & Tyre Assembly

25.1030 Rim Only

25.2032 Tyre Only

**215 R14 (6 Stud
205mm PCD) W/T
Assembly**

**TO SUIT
16' UNIT**

**IMAGE
COMING
SOON**

Code

25.0069 215 R14 (6 Stud 205mm PCD) Wheel & Tyre Assembly

25.1031 Rim Only

25.2034 Tyre Only

**48mm Serrated
Jockey Wheel**



Code

15.009K 48mm Serrated Telescopic Jockey Wheel

15.1019 Spare Wheel

15.1028 Spare Spindle

EXTERNAL LIGHTING & TOWING ELECTRICS

**13 Pin Plastic
Socket**



Code

12.2015 12V 13 Pin Plastic Socket

**M5 x 35mm
Fixing Bolt Kit**



Code

12.3008 M5 x 35mm Fixing Bolt & Nut Kit

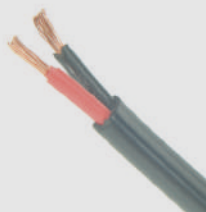
**7 Core Cable -
Black**



Code

26.1009 7 Core Cable - Black - 100m Roll

**Twin Core Flat Cable
- 8A**



Code

26.1039 Twin Core Flat Cable - 8A - 2 x 1mm² - 30m

**LLB334 Bulb - Stop
/ Tail**



**PACK
OF 10**

Code

26.3001 24V 21/5W BAY15D (LLB334) Bulb - Pack of 10

**LLB207 Bulb - Side
Light**



**PACK
OF 10**

Code

26.3002 12V 5W BA15S Bulb (LLB207) - Pack of 10

LLB380 Bulb - Stop / Tail

PACK OF 10



Code

26.3009 12V 21/5W BA15S Bulb (LLB380) - Pack of 10

LLB241 Bulb - Indicator

PACK OF 10



Code

26.3014 24V 21W BA15S Bulb (LLB241) - Pack of 10

LLB501 Bulb - Capless

PACK OF 10



Code

26.3024 12V 5W Wedge Bulb (LLB501) - Pack of 10

Clear LED Front Marker Lamp w/ Superseal Plug



Code

27.2063 10-30V Clear LED Front Marker Lamp w/ Superseal Plug

LED Front Marker Lamp



Code

27.2064 12/24V LED Front Marker Lamp (98mm x 32mm)

Indicator Lens



Code

27.5004 Indicator Lens to suit Britax L12 and L13

Amber Side Marker Lamp



Code

27.5046 Amber Side Marker Lamp 12/24V w/ Superseal Connector

LED Side Marker Lamp



Code

27.5047 12/24V LED Side Marker Lamp (98mm x 32mm)

Rubber LED Red/ White Marker Lamp



Code

27.3020 12/24V Rubber LED Red/ White Marker Lamp

Britax Reverse Lamp



Code

27.6011 Britax Reverse Lamp w/
12V Bulb

27.6009 Britax Reverse Lamp
Lens

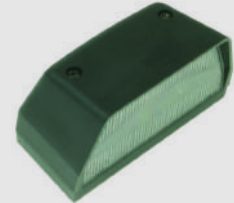
Britax Fog Lamp Lens



Code

27.7002 Britax Fog Lamp Lens
- Red

Britax Number Plate Lamp



Code

27.8004 Britax Number Plate
Lamp

BAY15D Bulb - Stop / Tail

PACK
OF 10



Code

26.3033 12V 21/5W Capless
Wedge Bulb (BAY15D) -
Pack of 10

LLB382 Bulb - Indicator

PACK
OF 10



Code

26.3010 12V 21W BA15S (LLB382)
Bulb - Pack of 10

7 Pin 'N' Type To 13 Pin Converter



Code

26.5008 7 Pin 'N' Type To 13 Pin
Converter

13 Pin To 7 Pin 'N' Type Converter



Code

26.5009 13 Pin To 7 Pin 'N' Type
Converter

13 Pin Extension Lead



Code

26.5026 2.5m 13 Pin Extension
Lead (Plug / Plug)

13 Pin Curly Extension Lead



Code

26.5028 3m 13 Pin Curly Extension
Lead (Plug / Plug)

13 Pin To 7 Pin Extension Lead



Code

26.5037 13 Pin Plug to 7 Pin Plug
3m Extension Lead

Britax L13 Rear Combination Lamp



Code

27.0076 Britax L13 Rear
Combination Lamp

27.0262 Britax L13 Rear
Combination Lamp
C/W Reverse Lamp

27.0076 Britax L12 & L13 Lens
To Suit Stop / Tail

LED Slimline Rear Combination Lamp



Code

27.0254 LED Slimline Rear
Combination Lamp (L/H)

27.0255 LED Slimline Rear
Combination Lamp (R/H)

LED Number Plate Lamp



Code

27.8019 10-30V LED Number Plate
Lamp C/W Superseal Plug

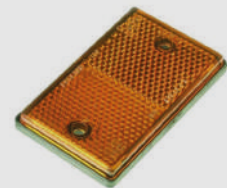
Exterior Strip Lamp



Code

27.9034 Exterior Strip Lamp - 12V,
5.9W, 850L, 593mm +PIR

Oblong Self-Adhesive Amber Reflector



Code

28.1005 Oblong Self-Adhesive
Amber Reflector

Round Amber Reflectors



Code

28.1007 Round Amber
Reflector

28.1008 Round Self-Adhesive
Amber Reflector

Rear Reflective Triangle - Red



Code

28.2001 Rear Reflective Triangle
- Red

Gravelly Fastener - Set



Code

34.0021 Gravelly Fastener - Set

INTERNAL LIGHTING

Ceiling Surface Mounted PIR Occupancy Switch



Code

80.3019 IP66 Ceiling Surface Mounted PIR Occupancy Switch - White

PIR Occupancy Sensor Light Switch



Code

80.3028 PIR Occupancy Sensor Light Switch, Surface Mount



**ORDER BEFORE
4.30PM**

**FOR NEXT WORKING
DAY DELIVERY**

*Guaranteed for UK mainland customers only.

ELECTRICS - 12-240V

Black Adhesive Insulation Tape

PACK OF 10



Code

12.3063 Black Adhesive Insulation Tape (19mm x 20m)

Blue Adhesive Insulation Tape

PACK OF 10



Code

12.3151 Blue Adhesive Insulation Tape (19mm x 20m)

Red Adhesive Insulation Tape

PACK OF 10



Code

12.3150 Red Adhesive Insulation Tape (19mm x 20m)

Yellow/Green Adhesive Insulation Tape

PACK OF 10



Code

12.3153 Yellow/Green Adhesive Insulation Tape (19mm x 20m)

12V 120A Heavy Duty Stud Type Relay



Code

26.2040 12V 120A Heavy Duty Stud Type Relay

150W Power Inverter With USB



Code

26.8001 150W Power Inverter with USB

1000W Power Inverter



Code

26.8004 1000W Power Inverter
12/230V

6kA RCBO 2 Pole C 16A 30mA Typc AC



Code

80.3013 6kA RCBO 2 Pole C 16A
30mA Type AC

GTEC 6kA Mini Circuit Breaker Type C 16A Single Pole



Code

80.3015 GTEC 6kA Miniature
Circuit Breaker Type C
16A Single Pole

13A DP Switched Fuse Spur - White



Code

80.3017 13A DP Switched Fuse
Spur - White

10A Triple Pole Fan Isolator Switch



Code

80.3018 10A Triple Pole Fan
Isolator Switch

2-Gang Power & USB Charging Wall Plate



Code

80.3026 2-Gang Power & USB
Charging Wall Plate 13A
250V - White

USB Two Port Socket Charge



Code

80.3027 12/24V USB Two Port
Socket Charge (36.5mm Ø)
To Suit 29mm Ø Panel Hole

13 Amp Domestic Fuse

PACK
OF 25



Code

ZZ3969 13 Amp Domestic Fuse -
Pack of 25

NOT SURE WHAT YOU NEED?

WE'RE HERE TO HELP

**GET IN CONTACT WITH
OUR FRIENDLY TEAM:**

T: 01206 795949

E: SALES@ATE-UK.COM

W: ATE-UK.COM



ENGINE & GENERATOR ROOM PARTS

Blade Fuses

PACK
OF 20



Code

12.3193	1 Amp Blade Fuse - 20pk
12.3033	5 Amp Blade Fuse - 20pk
12.3035	10 Amp Blade Fuse - 20pk
12.3036	15 Amp Blade Fuse - 20pk
12.3037	20 Amp Blade Fuse - 20pk
12.3039	30 Amp Blade Fuse - 20pk

Standard Blade Fuse Multipack

PACK
OF 250



Code

12.3102	Standard Blade Fuse Multipack
---------	-------------------------------

Copper Tube Terminals

PACK
OF 10



Code

12.3178	Copper Tube Terminals (M8 Stud 25mm Cable Size) - 10 pk
12.3188	Copper Tube Terminals (M8 Stud 35mm Cable Size) - 10 pk

Midi Fuse 50A



Code

12.3189	Midi Fuse 50A - Single
---------	------------------------

Mega Fuse 100A - Yellow



Code

12.3191	Mega Fuse 100A - Yellow - Single
---------	----------------------------------

Single Pole Battery Cut-off Switch



Code

26.0001	Single Pole Battery Cut-off Switch
---------	------------------------------------

Mini Momentary On Push Switch



Code

26.0003	Mini Momentary On Push Switch w/ Plastic Button (0.5A at 30V)
---------	---

Battery Cable (25mm²) 10m

ROLL
OF 10M



Code

26.1037	Battery Cable (25mm ²) 175A - Red - 10m
26.1038	Battery Cable (25mm ²) 175A - Black - 10m

Make & Break 4 Pin Relay w/ Diode



Code

26.2037	12 40A Make & Break 4-pin Relay C/W Diode
---------	---

200A Heavy Duty Make & Break Relay



Code

26.2038 12V 200A Heavy Duty Make & Break Relay

Power Inverters



Code

26.8004 1000W Power Inverter 12/230V

26.8005 1500W Power Inverter 12/230V with USB

Battery Connectors



Code

38.1011 Positive Battery Connector

38.1012 Negative Battery Connector

Positive / Negative Battery Connectors



Code

38.1010 Positive / Negative Battery Connectors

Victron Energy Battery Protect



Code

38.1014 Victron Energy Battery Protect (12/24V) 65A

38.1015 Victron Energy Battery Protect (12/24V) 100A

Battery Terminals



Code

38.1016 Battery Terminal Stud Type (8mm Stud) Negative

38.1017 Battery Terminal Stud Type (8mm Stud) Positive

Concentrated Red Oat Antifreeze



Code

38.4034 Concentrated Red Oat Antifreeze (4.54 Litre)

Automotive Batteries



Code

38.4072 12V 45AH 450CCA Automotive Battery (063)

38.4099 12V 45AH 360CCA Automotive Battery (085)

Length

212

207

Width

175

175

Height

175

175

Deep Cycle AGM Battery



Code

38.4106 Deep Cycle AGM Battery
12V 140AH

Exhaust Assembly Paste



Code

38.4097 Exhaust Assembly Paste
(500g)

Starter Motor To Suit Kubota OC60



Code

80.0001 Starter Motor to suit
Kubota OC60

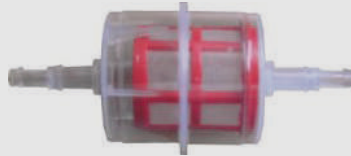
Fuel Stop Solenoid To Suit Kubota OC60



Code

80.0003 Fuel Stop Solenoid to
suit Kubota OC60

Universal In-line Fuel Filter Nylon Element To Suit Kubota OC60



Code

80.0028 Universal In-Line Fuel
Filter Nylon Element To
Suit 6mm / 8mm Hose

Air Filter To Suit Kubota OC60



Code

80.0005 Air Filter to suit Kubota
OC60

Fuel Filter To Suit Kubota OC60



Code

80.0006 Fuel Filter to suit
Kubota OC60

Fuel Lift Pump To Suit Kubota OC60



Code

80.0007 Fuel Lift Pump to suit
Kubota OC60

Comp Gear / Governor To Suit Kubota OC60



Code

80.0008 Comp Gear / Governor
to suit Kubota OC60

Oil Pressure Switch To Suit Kubota OC60



Code

80.0011 Oil Pressure Switch to suit Kubota OC60

Thermo Temp Switch To Suit Kubota OC60



Code

80.0012 Kubota Thermo Temp Switch to suit Kubota OC60 (White Top, Green Dot)

Crankshaft Seal To Suit Kubota OC60



Code

80.0013 Crankshaft Seal to suit Kubota OC60

Exhaust Pipe Gasket To Suit Kubota OC60



Code

80.0018 Exhaust Pipe Gasket to suit Kubota OC60

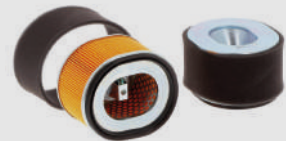
12V Relay Timer To Suit Kubota



Code

80.0019 12V Relay Timer to suit Kubota Relay Stop Solenoid

Air Filter To Suit Yanmar



Code

80.1005 Air Filter to suit Yanmar L48N, L70N, L100N

Oil Strainer To Suit Yanmar



Code

80.1000 Oil Strainer to suit Yanmar L48N, L70N, L100N

Starter Motor To Suit Yanmar



Code

80.1007 Starter Motor to suit Yanmar L40, L48N, L70N, L100N

Fuel Stop Solenoid To Suit Yanmar



Code

80.1008 Fuel Stop Solenoid to suit Yanmar L70 & L100

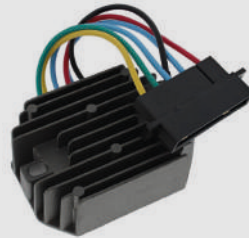
Oil Pressure Switch To Suit Yanmar



Code

80.1003 Single Terminal Oil Pressure Switch to suit Yanmar L48, L70 & L100

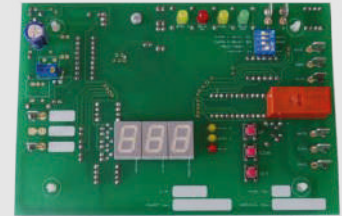
Voltage Regulator To Suit Yanmar L100N



Code

80.1010 Voltage Regulator 15A 5 Wire & Earth to suit Yanmar L100N

Battery Monitoring Board To Suit AJC



Code

80.3001 Battery Monitoring Board To Suit AJC

Capacitor C/W Spade Terminals



Code

80.3000 Capacitor 20UF 450V C/W Spade Terminals (98mm x 40mm)

80.3002 Capacitor 35UF 450V C/W Spade Terminals (123mm x 40mm)

Start On Demand Module 180VAC



Code

80.3003 Start On Demand Module 180VAC

Auto Start Modules



Code

80.3004 Auto Start Module X179 with Knob

80.3006 Auto Start Module X187 C/W Green & Red Buttons

Copper Earth Rod



Code

80.3007 3/8 4ft Copper Earth Rod

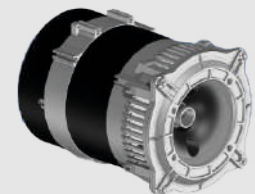
Earth Rod Clamp



Code

80.3008 Earth Rod Clamp 3/8"

Mecc Alte Alternators



Code

80.3021 Mecc Alte Alternator S20W/110 J609B Taper Shaft - 7KVA

80.3023 Mecc Alte Alternator S16W/105 / S16W/105/2 - 3.5KVA

Illuminated Fuel Guage



Code

80.0010 Durite 12V Illuminated Fuel Guage C/W Sender - 52mm

CHECK OUT OUR WEBSITE!



- CURRENT STOCK AVAILABILITY
- VISIBILITY OF YOUR PRICING
- DIRECT LIVE CHAT
- PDF PRICE LIST
- FULL VISIBILITY OF PREVIOUS ORDERS AND INVOICES

ORDER ONLINE | ATE-UK.COM

HYDRAULIC PARTS

Alko Raise / Lower Axle Hydraulic Ram

TO SUIT 20' UNIT

TO SUIT 22' UNIT



Code

22.5023 Alko Raise / Lower Axle Hydraulic Ram

Alko Raise / Lower Axle Hydraulic Ram

TO SUIT 12' UNIT

TO SUIT 16' UNIT



Code

22.5024 Alko Raise / Lower Axle Hydraulic Ram

12V Hydraulic Power Pack



Code

34.5038 12V Hydraulic Power Pack To Suit AJC Unit

Smart Start Hydraulic Solenoid



Code

34.5063 Smart Start Hydraulic Solenoid - KS7 (12V DC /24V DC)

Hydraulic Oil



Code

38.3010 Hydraulic Oil ISO 32 5 Ltr

WHATSAPP US!

ON: 01206 585439

GET OUR EXPERT ADVICE



WATER FITTINGS & PUMPS

Flojet Triplex On Demand Water Pump



Code

34.5041 Flojet Triplex On Demand Water Pump (2.1 Bar / 5.3 LPM)

Flojet Duplex II Bypass Pump



Code

34.5042 Flojet Duplex II Bypass Pump (230V / 4.2 LPM)

Flojet Pump Inlet Inline Filter Strainer



Code

34.5043 Flojet Pump Inlet Inline Filter Strainer

Redring Manual Instant Handwash



Code

34.5050 Redring 3KW Manual Instant Handwash

Water Carrier - 25 Ltr



Code

38.4093 25Ltr Natural Jerrican C/W 61mm Tamper Evident Cap

ZZ5697 61mm Black Tamper Evident Cap

PTFE Tape - Suitable To Suit Water



Code

38.4061 PTFE Tape 12mm x 5m (Suitable To Suit Water) W.R.A.S Approved / BS4375

Steel Hose Clip



PACK OF 10

Code

34.3274 Steel Hose Clip - 9.5-12mm (000)

34.3397 Steel Hose Clip - 11-16mm

34.3276 Steel Hose Clip - 13-20mm (00)

34.3277 Steel Hose Clip - 16-22mm (0)

34.3398 Steel Hose Clip - 18-25mm

34.3279 Steel Hose Clip - 22-30mm (1A)

34.3280 Steel Hose Clip - 25-35mm (1)

34.3399 Steel Hose Clip - 55-70mm

Welfare Toilet Single Diaphragm Pump



Code

34.5046 Welfare Toilet Single Diaphragm Pump To Suit Under Deck Mounting

Welfare Toilet Single Diaphragm Pump Service Kit



Code

34.5047 Welfare Toilet Single Diaphragm Pump Service Kit

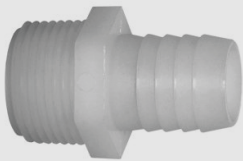
PARTSFINDER

SELECT THE
**MAKE
MODEL
PART**



**& LET OUR WEBSITE
DO THE WORK**

Nylon Straight Hose Connector



Code

34.5044 Nylon Straight Hose Connector (3/8" Male Thread - 1/2" Barb)

Water Strainer



Code

34.5045 Water Strainer 1/2" Male to 1/2" Swivel End

Stuart Turner Boostamatic Water Pump



Code

34.5048 Stuart Turner PH35 240V Boostamatic Water Pump

34.5049 Stuart Turner PH45 240V Boostamatic Water Pump

HEATING PARTS

Webasto Thermo Top C Burner & Glowpin



Code

80.7000 Webasto Thermo Top C Burner & Glowpin

Combustion Air Motor



Code

80.7001 Combustion Air Motor - Thermo Top C 12V

Water Pump



Code

80.7002 Water Pump 12V To Suit Webasto Thermo Top C

Heater Head Unit



Code

80.7003 Heater Head Unit To Suit Webasto Thermo Top C (RV Version)

Webasto Silencio Blower Box



Code

80.7004 Webasto Silencio Blower Box

Fuel Dosing Pump (12V)



Code

80.7005 Fuel Dosing Pump 12V With Damper

Warm Air Ducting (60mm)



Code

80.7006 Warm Air Ducting (PAK) 60mm - Per M

80.7007 Warm Air Ducting (PAK) 90mm - Per M

Round Black 45 Degree Air Vent



Code

80.7008 Round Black 45 Degree Air Vent To Suit 60mm Ducting

CREATE A

TRADE ACCOUNT

& ORDER AT YOUR CONVENIENCE

ATE-UK.COM



CABIN FITTINGS

Cordless Kettle (2.2KW) - White



Code

80.4000 1.8L Cordless Kettle - 2.2KW - White

Cordless Kettle (2KW) - Stainless Steel



Code

80.4001 1.8L Cordless Kettle - 2KW - Stainless Steel

Battery Carbon Monoxide Alarm



Code

80.4006 Battery Carbon Monoxide Alarm

Microwave



Code

80.4002 700W 20Ltr Microwave
- White

Door Catch & Striker



Code

80.4005 Door Catch & Striker To
Suit AJC Cabin Door

Retainer Set for Window / Door



Code

80.4003 Door / Window
Retainer Set

Commercial Vehicle Adhesive Sealant



Code

38.4104 Commercial Vehicle
Adhesive Sealant

Conical Rubber Buffer



Code

80.4004 Conical Rubber Buffer -
64mm x 51mm x 75mm

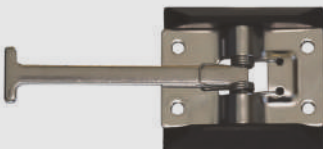
12mm Spring Bolt



Code

34.1072 12mm Spring Bolt
(Base Plate 75 x 40mm)

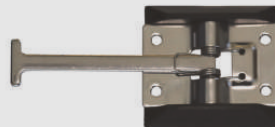
T-Bar Door Retainer



Code

34.1073 T-Bar Door Retainer |
Plate 64 (L) x 40mm (W)

Catch Plate To Suit T-Bar Retainer



Code

34.1077 Catch Plate To Suit T-Bar
Retainer

PARTSCHAT 

**WE ARE HERE
TO HELP**

NOT SURE WHAT YOU NEED?
GET IN CONTACT WITH OUR FRIENDLY TEAM!

T: 01206 795949
E: sales@ate-uk.com
www.ate-uk.com

PROLINE

ELECTRICS TESTER



TESTING YOUR TRAILER LIGHTS?

7 & 13 PIN TRAILER ELECTRICS TESTER

- Compatible with both 7 and 13 pin connectors, with a reverse light check
- Simple for you to test your lights with just one touch to start the sequence and with just one person
- Complete with adapter and charger, the unit boasts an auto-shut off and now comes with an earth terminal automatic reset
- Built in battery complete with low batter indicator, lasting for around 8 hours
- Portable and easy to store



SKU: 26.4011

W: ATE-UK.COM

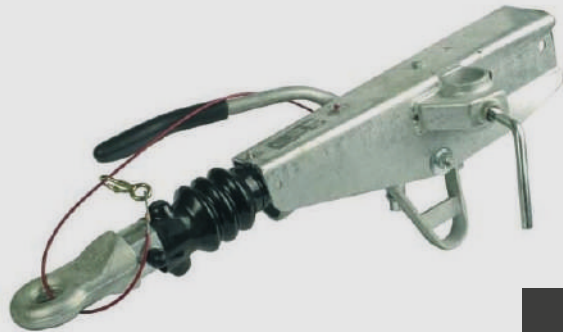
P: 01206 795949

E: SALES@ATE-UK.COM

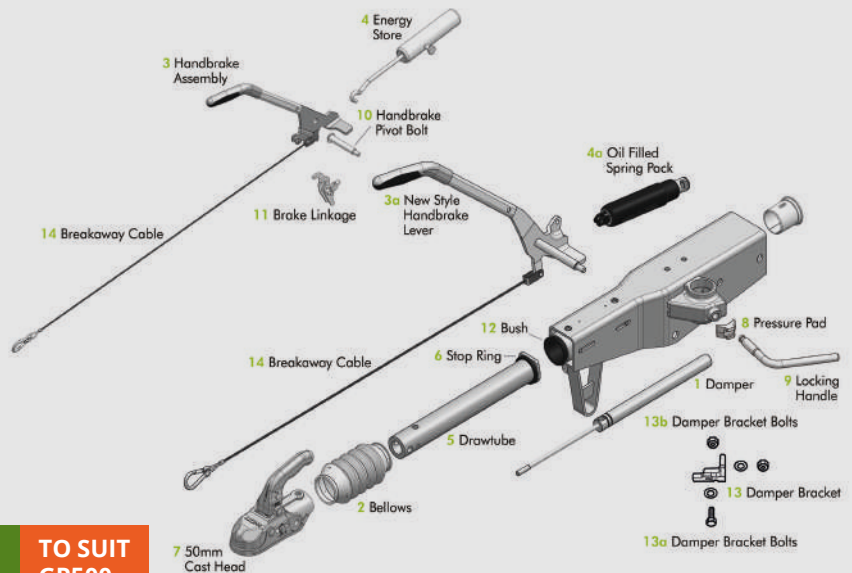
GROUNDHOG CABIN SPARES

CHASSIS & RUNNING GEAR	PAGE 31
UNDERCARRIAGE PARTS	PAGE 33
EXTERNAL LIGHTING & TOWING ELECTRICS	PAGE 36
INTERNAL LIGHTING	PAGE 39
ELECTRICS 12V & 240V	PAGE 40
ENGINE & GENERATOR ROOM PARTS	PAGE 42
HYDRAULICS	PAGE 45
WATER FITTINGS & TOILET ROOM PARTS	PAGE 46
HEATING PARTS	PAGE 48
CABIN FITTINGS	PAGE 52

KNOTT SQUARE TUBE COUPLING SPARES



	TO SUIT GP360	TO SUIT GP500
	KRV20	KRV30
Coupling Assembly w/ 40mm Eye	13.1002	13.1112

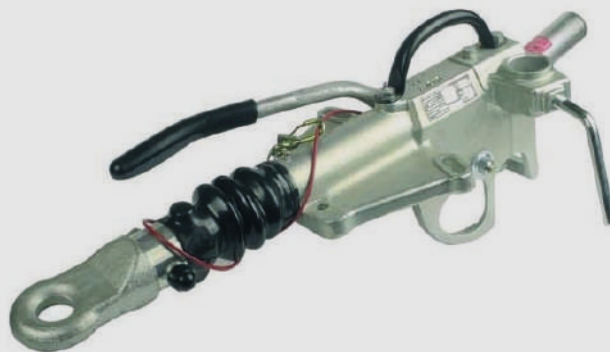


DESC	TO SUIT GP360	TO SUIT GP500
1 Damper	14.1006	14.1006
* Damper w/ 2 x M14 Bolt Holes	-	14.1108
2 Bellows	14.1013	14.1013
3 Handbrake Assembly	14.1016	14.1016
3a New Style Handbrake Lever	14.1092	14.1093
4 Energy Store	14.1018	14.1019
4a Oil Filled Spring Pack	14.1090	14.1088
5 Drawtube	14.1020	14.1022
* Drawtube w/ 2 x M14 Bolt Holes	-	14.1107
6 Stop Ring	14.1127	14.1127
* 50mm Pressed Head	14.1057	-
7 50mm Cast Locking Head	14.1001	14.1110
* 40mm Eye	14.1044	14.1112
* 50mm Eye	14.1047	14.1047
* Bolts To Suit Heads & Eyes	34.3043	34.3043

DESC	TO SUIT GP360	TO SUIT GP500
* Nuts To Suit Heads & Eyes	34.3036	34.3036
8 Pressure Pad	14.1035	14.1035
9 Standard Locking Handle	14.1036	14.1036
9 Extended Locking Handle	14.1037	14.1037
* Ratchet Handbrake Lever	14.1017	
* Replacement Lock To Suit 50mm Cast Head	14.1003	14.1003
10 Handbrake Pivot Bolt	14.1084	14.1084
11 Brake Linkage	14.1131	14.1131
12 Bush	14.1061	14.1078
13 Damper Bracket	14.1083	14.1079
13a Damper Bracket Bolt	34.3038	34.3038
13b Damper Bracket Nut	34.3036	34.3036
14 Breakaway Cable	14.6011	14.6011

KNOTT CAST A-FRAME COUPLING SPARES

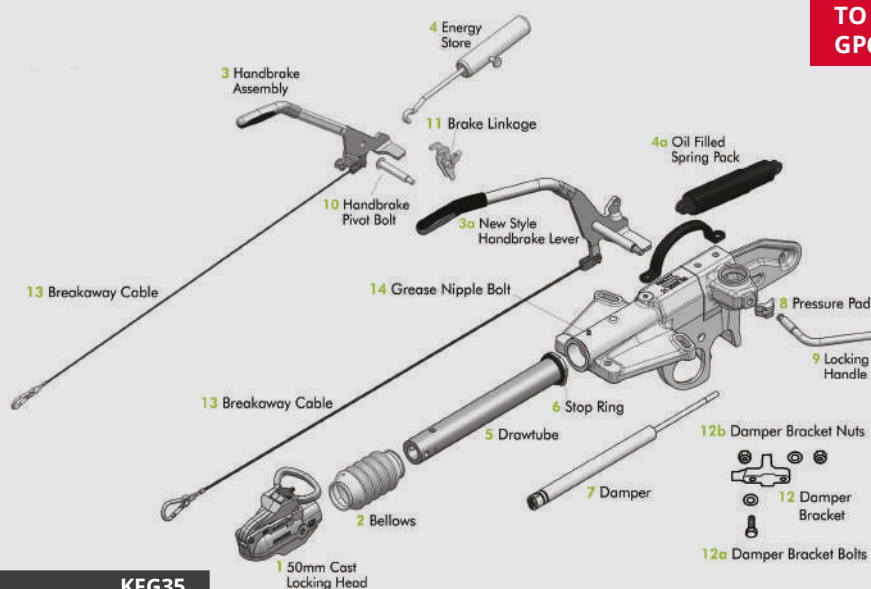
**TO SUIT
GP600**



KFG35

Coupling Assembly
w/ 40mm Eye

13.1029



**TO SUIT
GP600**

DESC	KFG35
1 50mm Cast Head	
1 50mm Cast Locking Head	14.1002
2 Bellows - To Suit couplings with Head	14.1060
2 Bellows - To Suit couplings with Eye	14.1119
3 Handbrake Assembly	14.1016
3a New Style Handbrake Lever with Pivot Bolt	14.1087
4 Energy Store	14.1019
4a Oil Filled Spring Pack	14.1088
5 Drawtube	14.1023
6 Stop Ring	14.1126
7 Damper	14.1009
1a Damper To Suit Drawtube with 2 x M14 Bolt Holes	14.1009
* 40mm Eye	14.1032
* 50mm Eye	14.1049
* Bolts To Suit Heads & Eyes	34.3058

DESC	KFG35
* Nuts To Suit Heads & Eyes	34.3050
8 Pressure Pad	14.1035
9 Standard Locking Handle	14.1036
9 Extended Locking Handle	14.1037
* Ratchet Handbrake Lever	14.1017
* Replacement Lock To Suit 50mm Cast Locking Head	14.1003
10 Handbrake Pivot Bolt	14.1066
11 Brake Linkage	14.1065
12 Damper Bracket	14.1080
12a Damper Bracket Bolt	34.3038
12b Damper Bracket Nut	34.3036
13 Breakaway Cable	14.6011
14 Knott Grease Nipple & Adapter Bolt	14.1039
* Reverse Stop	14.2055

48mm Medium Duty Jockey Wheel

TO SUIT
GP360



Code

- 15.0007K 48mm Medium Duty Telescopic Jockey Wheel
- 15.1019 Spare Wheel
- 15.1028 Spindle

48mm Serrated Jockey Wheel

TO SUIT
GP500



TO SUIT
GP600

Code

- 15.0009K 48mm Serrated Telescopic Jockey Wheel
- 15.1019 Spare Wheel
- 15.1028 Spindle

STAY CONNECTED



ATEUKLTD



@ATEGROUPLTD



ATE UK



ate_uk

UNDERCARRIAGE PARTS

Single Axle Slipper End Leaf Spring Set



Code

- 24.1011 Single Axle Slipper End Leaf Spring Set
- 24.1012 Single Axle Slipper End Leaf Spring Only

Shackle Shoe Eye



Code

- 24.2008 Shackle Shoe Eye

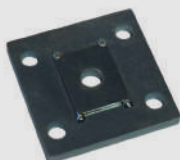
Stepped Shackle Bolt



Code

- 24.2014 Stepped Shackle Bolt

5 Hole Plate C/W Packer - Plated



Code

- 24.2029 5 Hole Plate C/W Packer To Suit Leaf Spring Kit - Plated

Round 'U' Bolt M12 (60 x 140)



Code

- 24.2051 Round 'U' Bolt - M12 (60 x 140)

155/70R12 (5 Stud 140mm PCD) Wheel & Tyre Assembly



Code

- 25.0014 155/70R12 (5 Stud 140mm PCD) Wheel & Tyre Assy.
- 25.2008 Tyre only
- 25.1011 Rim only

155/70R12 (5 Stud 112mm PCD) Wheel & Tyre Assembly



Code

25.0031 155/70R12 (5 Stud 112mm PCD) Wheel & Tyre Assy.

25.2008 Tyre only

25.1010 Rim only

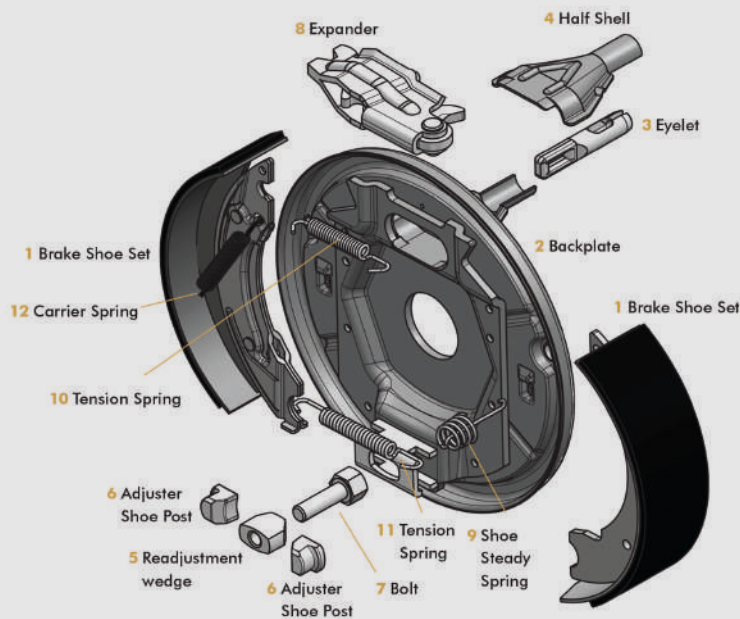
NOT SURE HOW TO MEASURE YOUR PCD?

WE'RE HERE TO HELP!



SCAN TO LEARN HOW TO MEASURE YOUR PCD

Knott Brakes



DESC	250 x 40
1 Genuine Brake Shoe Kit (Axle Set with all Springs)	17.1036G
1 Non-Geniune Brake Shoe Kit (Axle Set with all Springs)	17.1036
* Brake Cable	See page 33
3 Eyelet	17.1010
4 Half Shell	17.1007
5 Readjustment Wedge	17.1014
6 Adjuster Shoe Post	17.1019
7 Bolt	17.1025
8 Expander	17.1029

DESC	250 x 40
9 Shoe Steady Spring	17.1041
10 Tension Spring (next to Expander)	17.1046
11 Tension Spring (next to Adjuster)	17.1045
12 Carrier Spring	17.1048
* Spring Buckle	-
Complete Adjuster Kit	17.1057
Warrior Spring Kit	17.1058
Auto-Adjusting Brake Shoe Kit	17.1076

M10 Threaded Brake Rod



Code

16.0002 3m M10 Threaded Rod

Knott Type Detachable Brake Cable (Outer: 1230mm Inner: 1440mm)



Code

18.1013 Knott Type Detachable Brake Cable (Outer: 1230mm Inner: 1440mm)

Knott Detachable Brake Cable (Outer: 2630mm Inner: 2840mm)



Code

18.1019 Knott Detachable Brake Cable (Outer: 2630mm Inner: 2840mm)

Universal 4-Way Compensator



Code

16.0004 Universal 4-way Compensator

2-Way Compensator



Code

16.0018 2-way compensator

Avonride 250 x 40 (5 Stud 140mm PCD) Brake Drum



Code

19.1033 Avonride 250 x 40 (5 Stud 140mm PCD) Brake Drum

Taper Roller Bearing (48548 / 48510)



Code

20.0027 Taper Roller Bearing (48548 / 48510)

Taper Roller Bearing (67048 / 67010)



Code

20.0029 Taper Roller Bearing (67048 / 67010)

Oil Seal (275.175.37SC)



Code

20.3016 Oil Seal (275.175.37SC)

Avonride M24 Castle Nut



Code

21.3007 Avonride M24 Castle Nut

Avonride 74mm Grease Cap



Code

21.0005 Avonride 74mm Grease Cap

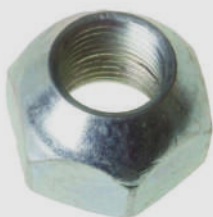
M16 Wheel Stud



Code

21.1018 M16 Wheel Stud

M16 Conical Wheel Nut - Plated



Code

21.2011 M16 Conical Wheel Nut - Plated

19mm Double Pointer WheelSentry® Kit



Code

21.2303 19mm Double Pointer WheelSentry® Kit (5 Stud 140mm PCD) w/ Safe Band - Set For 4 wheels

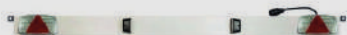
WHEELSENTRY



**2 IN 1
& INDICATOR
& RETAINER**

EXTERNAL LIGHTING & TOWING ELECTRICS

6' 6" LED Lightboard C/W 13-Pin 1m Cable



Code

29.0037K 6' 6" LED Lightboard C/W 13-Pin 1m Cable, Fog Lamp & Mounting Bracket

6' 6" Lightboard C/W 13-Pin 1m Cable



Code

29.0036K 6' 6" Lightboard C/W 13-pin 1m Cable, Fog Lamp (Bulb) & Mounting Bracket

6' 6" Lightboard C/W 1m Cable



Code

29.0021K 6' 6" Lightboard C/W 1m Cable, Fog Lamp & Mounting Bracket

Rear Reflective Triangle



Code

28.2001 Rear Reflective Triangle

Round Self Adhesive Amber Reflector



Code

28.1008 Round Self Adhesive Amber Reflector

Clear LED Front Marker Lamp



Code

27.2066 10-30V Clear LED Front Marker Lamp C/W Superseal Socket

LED Front Marker Lamp - Oblong



Code

27.2053 12/24V LED Front Marker Lamp - Oblong

Clear Front Marker & Reflector



Code

27.2067 Clear Front Marker & Reflector w/ Superseal Socket

12V Front Marker Lamp



Code

ZZ4837 12V Front Marker Lamp

Rubber LED Red / White Marker Lamp



Code

27.3020 12/24V Rubber LED Red / White Marker Lamp

Red / White Marker Lamp



Code

27.3009 Red / White Marker Lamp

LED Multifunction Combination Lamp



Code

27.0218 12/24V LED Multi-function Combination lamp (R/H)

27.0217 12/24V LED Multi-function Combination lamp (L/H)

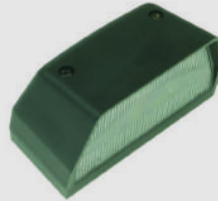
LED Compact Number Plate Lamp



Code

27.8012 12/24V LED Compact Number Plate Lamp

Rear Registration Lamp



Code

27.8004 Rear Registration Lamp

AJBA FP40 Horizontal 6 Function Rear Combination Lamp

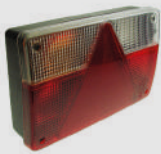


Code

27.0249 AJBA FP40 Horizontal 6 Function Rear Combination Lamp (L/H)

27.0250 AJBA FP40 Horizontal 6 Function Rear Combination Lamp (R/H)

Spare Lens For AJBA FP40 Rear Combination Lamp



Code

ZZ3487 Spare Lens To Suit AJBA FP40 Rear Combination Lamp (L/H)

ZZ3488 Spare Lens To Suit AJBA FP40 Rear Combination Lamp (R/H)

AJBA Fog Lamp

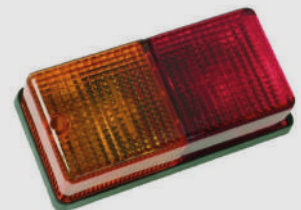


Code

27.7007 AJBA Rear Fog Lamp

27.7008 AJBA Spare Lens To Suit Rear Fog Lamp

LEP Oblong Rear Combination Lamp



Code

27.0022 LEP Oblong Rear Combination Lamp

27.0023 LEP Lens To Suit Oblong Rear Combination Lamp

7 Pin 12V 'N' Type Plastic Socket



Code

12.2010 7 Pin 12V 'N' Type Plastic Socket

7 Pin 'N' Type Plastic Plug



Code

12.2001 7 Pin 'N' Type Plastic Plug

7 Pin 12V 'S' Type Plastic Socket



Code

12.2012 7 Pin 12V 'S' Type Plastic Socket

'N' Type Gasket



Code

12.3009 'N' Type Gasket

13 Pin Plastic Plug



Code

12.2006 13 Pin Plastic Plug

12V 13 Pin Plastic Socket



Code

12.2015 12V 13 Pin Plastic Socket

7 Pin 'N' Type to 13 Pin Converter



Code

26.5008 7 Pin 'N' Type to 13 Pin Converter

13 Pin to 7 Pin 'N' Type Converter



Code

26.5009 13 Pin to 7 Pin 'N' Type Converter

Curly Extension Lead (Plug/Plug)



Code

26.5001 1.5m 'N' Type Curly Extension Lead (Plug/Plug)
26.5002 2.5m 'N' Type Curly Extension Lead (Plug/Plug)

INTERNAL LIGHTING

Megalux Enviro Light



Code

27.9035 Megalux Enviro Light 12V 4W 480LM + PIR

PROLINE



TESTING YOUR TRAILER LIGHTS?

- Compatible with both 7 and 13 pin connectors, with a reverse light check
- Complete with adapter and charger
- Built in battery with low battery indicator
- Simple to use - one touch to start sequence
- One person operation
- Portable and easy to store

ELECTRICS (12V & 240V)

Victron Phoenix Sine Wave Inverter



Code

80.3035 Victron Phoenix Sine Wave Inverter - 12V 375VA V.E. Direct - UK Socket

Touch Sensitive Time Lag Switch



Code

80.3036 Touch Sensitive Time Lag Switch 230V 16A To Suit Water Pump

Sterling Power Pro Procharge Ultra Smart Charger



Code

80.3032 Sterling Power Pro Procharge Ultra 12V 30A Smart Charger

Victron Energy Blue Smart IP65 Charger



Code

80.3030 Victron Energy Blue Smart IP65 Charger 12V 10A

Victron Energy Blue Smart IP65S Charger



Code

80.3031 Victron Energy Blue Smart IP65S Charger 12V 4A + DC Connector

Touch Activated Timer - 12V



Code

80.3045 12V Touch Activated Timer IP66 Rated - C/W Pattress Box

Victron Energy Smartsolar MPPT



Code

80.3034 Victron Energy Smartsolar MPPT 100V 30A

12V 130AH 1000CCA AGM Battery



Code

ZZ6698 12V 130AH 1000CCA AGM Battery (L410 x W176 x H227)

12V 72AH 610CCA Automotive Battery



Code

38.4080 12V 72AH 610CCA Automotive Battery (L277 x W174 x H190) (096/100)

USB Two Port Socket Charge



Code

80.3027 12/24V USB Two Port
Socket Charge - 36.5mm Ø -
To Suit 29mm Ø Panel Hole

13A DP 1 Gang Switched Socket



Code

80.3037 13A DP 1 Gang Switched
Socket

13A DP Switched Fused Spur with Neon



Code

80.3038 13A DP Switched Fused
Spur With Neon - White

10A 2-Way Ceiling Cord Switch



Code

80.3039 10A 2-Way Ceiling Cord
Switch - White

Rotary Isolator Switch



Code

80.3040 Rotary Isolator Switch
IP65 32A 4 Pole

Wall Mounted Angled Appliance Inlet C/W Locking Ring



Code

80.3041 Wall Mounted Angled
Appliance Inlet C/W
Locking Ring IP67 230V
32A

3 Pin Trailing Socket IP67 Lockable



Code

80.3042 3 Pin Trailing Socket IP67
Lockable 230V 32A

Single Pole 6KA B Curve MCB



Code

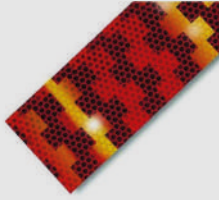
80.3044 MCG 10A Single Pole 6KA
B Curve MCB

80.3043 MCG 16A Single Pole 6KA
B Curve MCB

LETS STAY CONNECTED



Red Conspicuity Tape

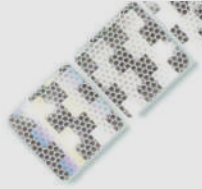


Code

28.3002 50mm Red Conspicuity Tape - Roll of 12.5m

28.3001 50mm Red Conspicuity Tape - Roll of 50m

White EC104 Rigid Grade Reflective Tape

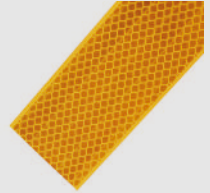


Code

28.3006 50mm White EC104 Rigid Grade Reflective Tape - Roll of 12.5m

28.3005 50mm White EC104 Rigid Grade Reflective Tap - Roll of 50m

Yellow EC104 Rigid Grade Reflective Tape



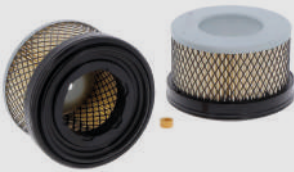
Code

28.3004 50mm Yellow EC104 Rigid Grade Reflective Tap - Roll of 12.5m

28.3003 50mm Yellow EC104 Rigid Grade Reflective Tap - Roll of 50m

MGPT6000 ENGINE PARTS

Air Filter To Suit Lombardini



Code

80.2001 Air Filter To Suit Lombardini 15LD 440

Fuel Stop Solenoid To Suit Lombardini

IMAGE
COMING
SOON

Code

80.2003 Fuel Stop Solenoid To Suit Lombardini 15LD 440

3 Port Fuel Filter To Suit Lombardini



Code

80.2000 3 Port Fuel Filter To Suit Lombardini 15LD 440

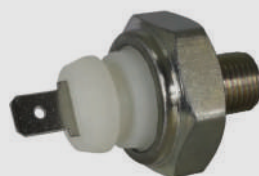
Flexi-To-Exhaust Pipe Gasket To Suit Lombardini



Code

80.2013 Flexi-To-Exhaust Pipe Gasket To Suit Lombardini 15LD 440

Oil Pressure Switch To Suit Lombardini



Code

80.2006 Oil Pressure Switch To Suit Lombardini 15LD 440

Fuel Lift Pump To Suit Lombardini



Code

80.2004 Fuel Lift Pump To Suit Lombardini 15LD 440

Starter Motor To Suit Lombardini



Code

80.2005 Starter Motor To Suit Lombardini 15LD 440

Lombardini Fuel Hose



Code

80.2009 Lombardini Fuel Hose

Universal In-Line Diesel Fuel Filter



Code

80.0028 Universal In-Line Diesel Fuel Filter To Suit 6-8mm Hose

Air Filter To Suit Kohler



Code

80.5004 Air Filter To Suit Kohler KD15 440 127mm Ø

O-Ring To Suit Lombardini



Code

80.2015 O-Ring To Suit Lombardini 15LD 440 Oil Filter Compartment

Fuel Injection Pump To Suit Lombardini



Code

80.2002 Fuel Injection Pump To Suit Lombardini 15LD 440

Fuel Injection Pump To Suit Kohler



Code

80.2011 Fuel Injection Pump To Suit Kohler KD12-440

Voltage Regulator To Suit Lombardini



Code

80.2016 Voltage Regulator To Suit Lombardini 15LD 440

Engine To Muffler Cast Exhaust Manifold To Suit Lombardini



Code

80.2007 Engine To Muffler Cast Exhaust Manifold To Suit Lombardini 15LD 440

Air Filter Centre/ Rocker Stud To Suit Lombardini



Code

80.2010 Air Filter Centre/Rocker
Stud To Suit Lombardini
15LD 440

THE PORTABLE TRAILER LIFT

PROLINE

The Portable Trailer Lift is brought to you by Proline and is ideal for the servicing of trailers, small vehicles and plant. Being totally portable and with the ability to lift 2.8 tonnes, this useful piece of equipment is a must for a busy workshop or service bay and can be collapsed and stored away when not in use.

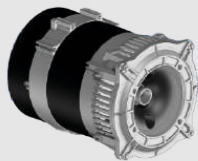


Scan here to
find out more!



MGPT6000 GENERATOR PARTS

MECC ALTE Alternator S20W/110 J609B Taper Shaft



Code

80.3021 MECC ALTE Alternator
S20W/110 J609B Taper
Shaft - 7KVA

12V 72AH 610CCA Automotive Battery



Code

38.4080 12V 72AH 610CCA
Automotive Battery (L277
x W174 x H190) (096/100)

Capacitor 35UF 450V C/W Spade Terminals



Code

80.3002 Capacitor 35UF 450V
C/W Spade Terminals
(123mm x 40mm)

Flush Compression Locking Latch



Code

34.1081 Flush Compression
Locking Latch C/W 2 Keys

MECC ALTE Alternator S20W/95



Code

80.3022 MECC ALTE Alternator
S20W/95

6 Digit Hour Meter and Counter



Code

80.3029 6 Digit Hour Meter and
Counter - 10-80V

**Positive / Negative
Battery Connectors**



Code

38.1010 Positive / Negative
Battery Connectors

**2" Plastic Drip Cap
& Chain To Suit
Fuel Tanks**



Code

34.6013 2" Plastic Drip Cap &
Chain To Suit Fuel Tanks

**Rubber Fuel
Hose**



Code

34.5037 Rubber Fuel Hose (8mm x
10m Length)

**GET OUR
EXPERT
ADVICE**

**WHATSAPP
01206 585439**



**3/8 4FT Copper
Earth Rod**



Code

80.3007 3/8 4FT Copper Earth
Rod

**Earth Rod
Clamp**



Code

80.3008 Earth Rod Clamp (3/8")

HYDRAULICS

**Smart Start Hydraulic
Solenoid**



Code

34.5063 Smart Start Hydraulic
Solenoid KS7 12V DC
/24V DC

**Hydraulic Oil
ISO 32**



Code

38.3010 Hydraulic Oil ISO 32 5 Ltr

38.3011 Hydraulic Oil ISO 32 20 Ltr

PARTSFINDER

**SELECT THE
&**

**MAKE
MODEL
PART**

**LET OUR WEBSITE
DO THE WORK**



WATER FITTINGS & TOILET ROOM PARTS

Shurflo Water Pump (12V) 45 PSI



Code

34.5052 Shurflo Water Pump
12V 45PSI (On Demand)
10LPM

Water Strainer



Code

34.5045 Water Strainer 1/2" Male
to 1/2" Swivel End

Tank Gauge - Float Operated - 3' (0.91m)



Code

34.5062 Tank Gauge - Float
Operated - 3' (0.91m)

Redring 3KW Manual Instant Handwash



Code

34.5051 Redring 3KW Manual
Instant Handwash With
Auto Sensor

34.5050 Redring 3KW Manual
Instant Handwash

25 Ltr Natural Jerrican



Code

38.4093 25 Ltr Natural Jerrican
C/W 61mm Tamper
Evident Cap

Black Tamper Evident Cap



Code

ZZ5697 61mm Black Tamper
Evident Cap

30" Bungee Strap



Code

40.4007 30" Bungee Strap

Steel Hose Clip



Code

34.3274 9.5-12mm (000) Steel
Hose Clip

Dometic Sealand 510 Toilet Pedal & Spring Cartridge

IMAGE
COMING
SOON

Code

34.5061 Dometic Sealand 510
Toilet Pedal & Spring
Cartridge

Welfare Toilet Single Diaphragm Pump - Under Deck Mounting



Code

34.5046 Welfare Toilet Single Diaphragm Pump To Suit Under Deck Mounting

Jobec Sink Filler Cap



Code

34.5053 Jobec Sink Filler Cap

Whale Babyfoot Pump



Code

34.5054 Whale Babyfoot Pump C/W Hose Tails

Welfare Toilet Flat Base Unit Seat C/W Flushing System



Code

34.5055 Welfare Toilet Flat Base Unit Seat C/W Flushing System

Self Contained Coldwater Handwash Sink



Code

34.5056 Self Contained Coldwater Handwash Sink (Complete)

Dometic Sealand 511/911 Spring Cartridge Kit



Code

34.5058 Dometic Sealand 511/911 Spring Cartridge Kit

Dometic Sealand 510 Water Valve



Code

34.5057 Dometic Sealand 510 Water Valve

Dometic Sealand 511/911 Half Ball & Shaft C/W Cartridge Spring



Code

34.5059 Dometic Sealand 511/911 Half Ball & Shaft C/W Cartridge Spring

Dometic Sealand 510 Toilet Pedal Cover



Code

34.5060 Dometic Sealand 510 Toilet Pedal Cover

HEATING & DIESEL HEATING PARTS

Webasto Air Top Universal Heater Kit



Code

80.7009 Webasto Air Top 2000 STC 12V Universal Heater Kit Diesel Rotary Control & 1 Outlet Ducting Kit

Webasto Air Top Heater Service Kit



Code

80.7010 Webasto Air Top 2000ST/STC 12V Heater Service Kit

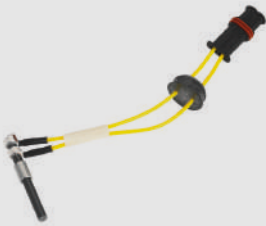
Webasto Air Top Burner



Code

80.7011 Webasto Air Top 2000ST/STC Burner

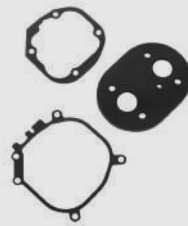
Webasto Air Top Heater Glow Pin



Code

80.7012 Webasto Air Top 2000ST/STC Heater Glow Pin

Webasto Air Top Gasket



Code

80.7013 Webasto Air Top 2000S/ST/STC Gasket

Webasto Air Top Overheat Sensor



Code

80.7014 Webasto Air Top 2000ST Overheat Sensor

Webasto Air Top Remote Temperature Sensor



Code

80.7015 Webasto Heater Air Top 2000ST/STC Remote Temperature Sensor

Webasto Air Top 2000ST Heater Blower Motor



Code

80.7016 Webasto Air Top 2000ST Heater 12V Blower Motor

Webasto Fuel Pump To Suit Air Top 2000STC



Code

80.7017 Webasto Fuel Pump To Suit Air Top 2000STC / Thermo Pro 12/24V

**Air Top Evo 40
Vehicle Universal Kit**



Code

80.7018 Air Top Evo 40 Vehicle
Universal Kit 12V

**Webasto Air Top
Evo 40/55 Heater
Service Kit**



Code

80.7019 Webasto Air Top Evo 40/55
12V Heater Service Kit

**Webasto Air Top
Evo 40/55 Blower
Motor**



Code

80.7020 Webasto Air Top Evo
40/55 Blower Motor C/W
Fuel Pump Harness & Fan

**Webasto Heater
Fuel Pump Air Top
2000STC**



Code

80.7021 Webasto Heater Fuel
Pump Air Top 2000STC
/ Thermo Pro 12/24V
Without Damper

**Webasto Heater
Controller
Rehostat**



Code

80.7022 Webasto Heater Controller
Rheostat 12/24V

**Webasto Air Top
Evo Combustion Air
Silencer**



Code

80.7023 Webasto Air Top Evo
Combustion Air Silencer

**Webasto Air Top
Ducting Outlet
Closeable**



Code

80.7024 Webasto Air Top Ducting
Outlet Closeable (60mm
Ø) - Black

**Webasto Exhaust
Silencer Muffler**



Code

80.7025 Webasto Exhaust Silencer
Muffler - 22mm

**Webasto Thermo
Top C Burner &
Glowpin**



Code

80.7000 Webasto Thermo Top C
Burner & Glowpin

Glow Pin & Gasket To Suit Webasto Thermo Top C



Code

80.7026 Glow Pin & Gasket To Suit Webasto Thermo Top C

Gasket Kit To Suit Webasto Thermo Top C



Code

80.7027 Gasket Kit To Suit Webasto Thermo Top C

Webasto Combustion Air Motor - Thermo Top C



Code

80.7001 Webasto Combustion Air Motor - Thermo Top C - 12V

Webasto Water Pump 12V



Code

80.7002 Webasto Water Pump 12V To Suit Thermo Top C

Webasto Heater Head Unit To Suit Thermo Top C



Code

80.7003 Webasto Heater Head Unit To Suit Thermo Top C (RV Version)

Webasto Fuel Dosing Pump 12V



Code

80.7005 Webasto Fuel Dosing Pump 12V With Damper

Webasto Silencio Blower Box



Code

80.7004 Webasto Silencio Blower Box

Webasto Thermo Top Evo Burner Diesel Heater



Code

80.7028 Webasto Thermo Top Evo Burner Diesel Heater

Webasto Air Top Evo 3900 / 5500 Heater Service Kit



Code

80.7029 Webasto Air Top Evo 3900 / 5500 12V Heater Service Kit

**Webasto Air Top
3500ST / 5000ST
Heater Burner Tube**



Code

80.7030 Webasto Air Top 3500ST / 5000ST Heater Burner Tube

**Webasto Warm
Air Ducting (PAK)**



Code

80.7006 Webasto Warm Air Ducting (PAK) 60mm - Per m

80.7007 Webasto Warm Air Ducting (PAK) 90mm - Per m

**Webasto Heater
In-Line Plastic Fuel
Filter**



Code

80.7031 Webasto Heater In-Line Plastic Fuel Filter

**Webasto Silencio 2
Blower Box**

IMAGE
COMING
SOON

Code

80.7032 Webasto Silencio 2 Blower Box 12V 5.5KW

**Webasto Heater
90mm Rotatable
Air Outlet Vent**



Code

80.7033 Eberspacher / Webasto Heater 90mm Rotatable Air Outlet Vent - Black

**Round Black
45° Air Vent**



Code

80.7008 Round Black 45° Air Vent To Suit 60mm Ducting

**SCAN
TO STAY
CONNECTED**



CABIN FITTINGS

700W Microwave



Code

80.4002 700W 20Ltr Microwave
- White

1.8L Cordless Kettle



Code

80.4000 1.8L Cordless Kettle
2.2KW - White

Battery Carbon Monoxide Alarm



Code

80.4006 Battery Carbon
Monoxide Alarm

Self-Aligning Door Retainer Set - Adjustable



Code

34.1078 Self-Aligning Door
Retainer Set White Plastic
Adjustable

Self-Aligning Door Retainer Set



Code

34.1079 Self-Aligning Door
Retainer Set White Plastic

Self-Retaining Door Retainer Set - Metal



Code

34.1080 Self-Aligning Door
Retainer Set Metal

Metal Retainer Set For Window Shutter



Code

34.1082 Metal Retainer Set for
Window Shutter

Retainer Set for Window / Door



Code

80.4003 Retainer Set for Window
/ Door

Leather Door Retaining Strap



Code

34.1083 Leather Door Retainer
Strap 205mm Long

12mm Spring Bolt



Code

34.1072 12mm Spring Bolt (Base Plate 75mm x 40mm)

1/2" Spring Bolt



Code

34.1044 1/2" Spring Bolt (Base Plate 120mm x 40mm)

Weld-On Standard Antiluce



Code

34.1013 12mm Weld-On Standard Antiluce

M12 Bolt-On Standard Antiluce



Code

34.1010 M12 Bolt-On Standard Antiluce

34.1012 M12 Bolt-On Standard Antiluce - Long

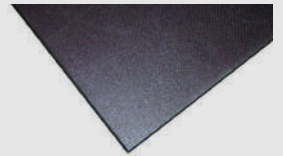
Flat Cotter & Chain



Code

34.1047 Flat Cotter & Chain

Phenolic Plywood Trailer Flooring

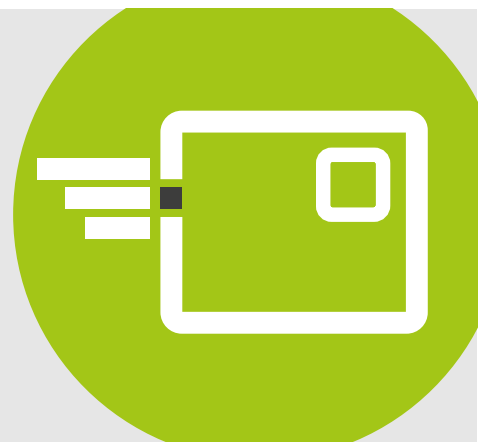


Code

34.2001 Phenolic Plywood Trailer Flooring 2500 x 1250 x 18

34.2002 Phenolic Plywood Trailer Flooring 3050 x 1525 x 18

TO RECEIVE
MARKETING
& **PROMOTIONAL**
OFFERS



EMAIL: MARKETING@ATE-UK.COM

BOSS CABIN SPARES

CHASSIS & RUNNING GEAR

PAGE 55

EXTERNAL LIGHTING & TOWING ELECTRICS

PAGE 60

INTERNAL LIGHTING

PAGE 62

ELECTRICS 12V & 240V

PAGE 63

ENGINE & GENERATOR ROOM PARTS

PAGE 64

HYDRAULICS

PAGE 67

WATER FITTINGS & TOILET ROOM PARTS

PAGE 67

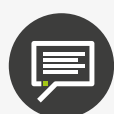
HEATING PARTS

PAGE 68

CABIN FITTINGS

PAGE 71

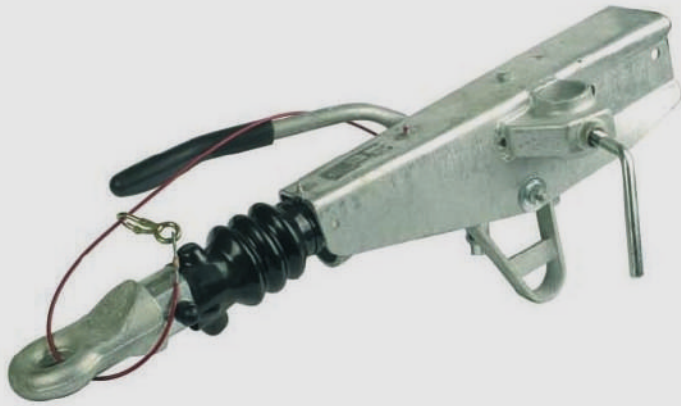
PARTSCHAT



T: 01206 795949 E: sales@ate-uk.com
www.ate-uk.com

**WE ARE HERE
TO HELP**

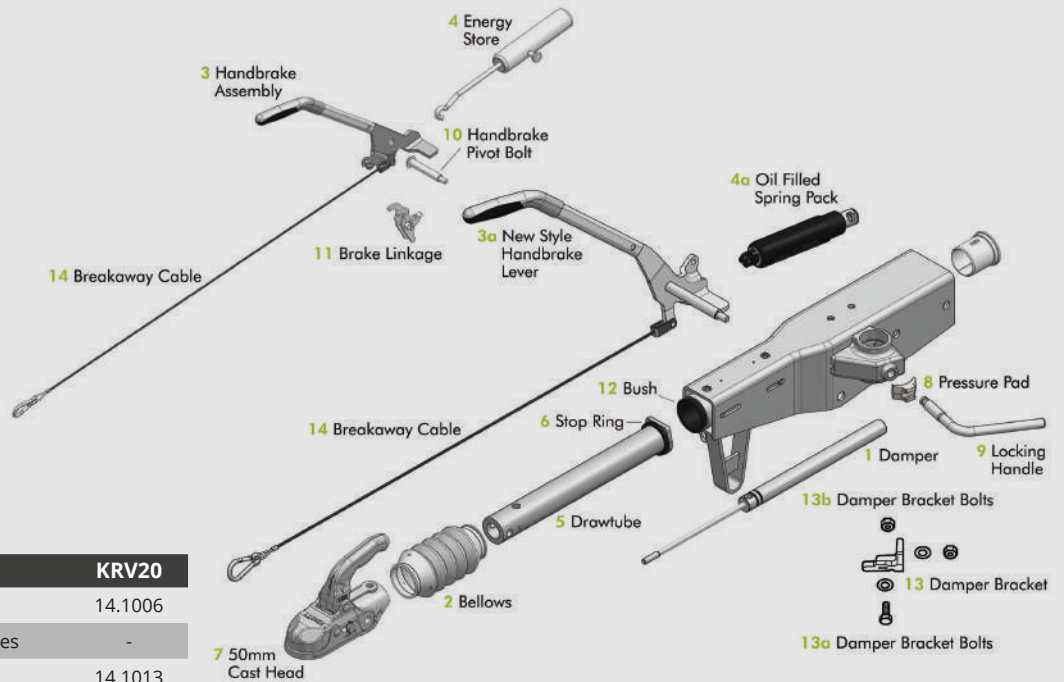
KNOTT SQUARE TUBE COUPLING SPARES



KRV20

Coupling Assembly w/ 40mm Eye 13.1002

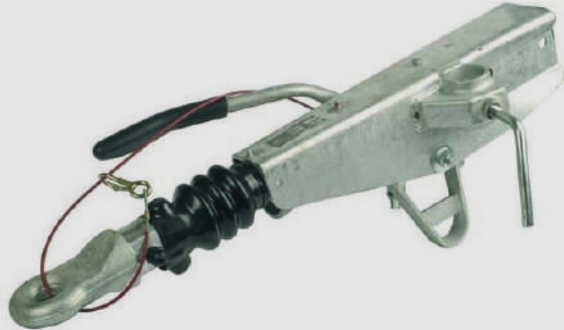
Coupling Assembly w/ 40mm Eye (80mm) 13.1120



DESC	KRV20
1 Damper	14.1006
* Damper w/ 2 x M14 Bolt Holes	-
2 Bellows	14.1013
3 Handbrake Assembly	14.1016
3a New Style Handbrake Lever	14.1092
4 Energy Store	14.1018
4a Oil Filled Spring Pack	14.1090
5 Drawtube	14.1020
* Drawtube w/ 2 x M14 Bolt Holes	-
6 Stop Ring	14.1127
* 50mm Pressed Head	14.1057
7 50mm Cast Locking Head	14.1001
* Replacement Lock To Suit 50mm Cast Head	14.1003
* 40mm Eye	14.1044
* 50mm Eye	14.1047
* Bolts To Suit Heads & Eyes	34.3043

DESC	KRV20
* Nuts To Suit Heads & Eyes	34.3036
8 Pressure Pad	14.1035
9 Standard Locking Handle	14.1036
9 Extended Locking Handle	14.1037
* Ratchet Handbrake Lever	14.1017
10 Handbrake Pivot Bolt	14.1084
11 Brake Linkage	14.1131
12 Bush	14.1061
13 Damper Bracket	14.1083
13a Damper Bracket Bolt	34.3038
13b Damper Bracket Nut	34.3036
14 Breakaway Cable	14.6011

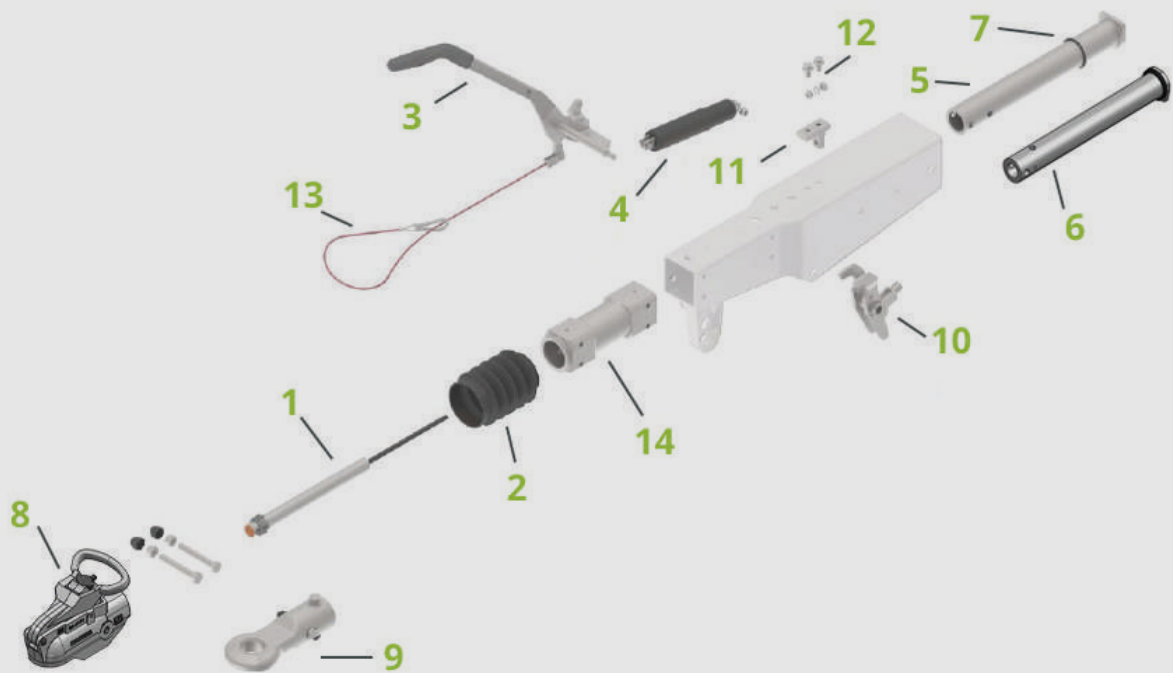
KNOTT SQUARE TUBE COUPLING SPARES



KRV35

Coupling Assembly w/
40mm Eye (120mm) 13.1119

Coupling Assembly w/
50mm Locking Head
(120mm) 13.1118



DESC	KRV35
1 Damper	14.1009
2 Bellows	14.1060
3 New Style Handbrake Lever	14.1138
4 Oil Filled Spring Pack	14.1088
5 Drawtube	14.1023
6 Drawtube w/ 2 x horizontal bolt holes	14.1098
7 Stop Ring	14.1126
8 50mm Cast Locking Head	14.1002
9 40mm Eye	14.1032
* 40mm Eye W/ 2 x Horizontal Bolt Holes	ZZ3033

DESC	KRV35
* Replacement Lock To Suit 50mm Cast Head	14.1003
10 Brake Linkage	14.1065
11 Damper Bracket	ZZ9446
12 Damper Bracket Bolt	Call Sales
* Damper Bracket Nut	Call Sales
13 Breakaway Cable	14.6011
14 Guide Tube	14.1076

48mm Medium Duty Jockey Wheel



Code

- 15.0007K 48mm Medium Duty Telescopic Jockey Wheel
- 15.1019 Spare Wheel
- 15.1028 Spindle

Swivelling Jockey Wheel Clamp



Code

- 15.3018 Swivelling Clamp To Suit 48mm Jockey Wheel

48mm Heavy Duty Plain Jockey Wheel



Code

- 15.0029 48mm Heavy Duty Plain Jockey Wheel
- 15.1018 Spare Wheel (200 x 40)
- 15.1028 Spindle

155/70R12 Wheel & Tyre Assembly



Code

- 25.0015 155/70R12 (5 Stud 6 1/2" PCD) W/T Assembly
- 25.1012 Rim Only
- 25.2008 Tyre Only

185/70R13 Wheel & Tyre Assembly



Code

- 25.0022 185/70R13 (5 Stud 6 1/2" PCD) W/T Assembly
- 25.1018 Rim Only
- 25.2015 Tyre Only

215/75 R16 Wheel & Tyre Assembly



Code

- 25.0073 215/75 R16 (5 Stud 6 1/2" PCD) W/T Assembly
- 25.1040 Rim Only
- 25.2035 Tyre Only

215R14 Tyre



Code

- 25.2034 215R14 Tyre Only

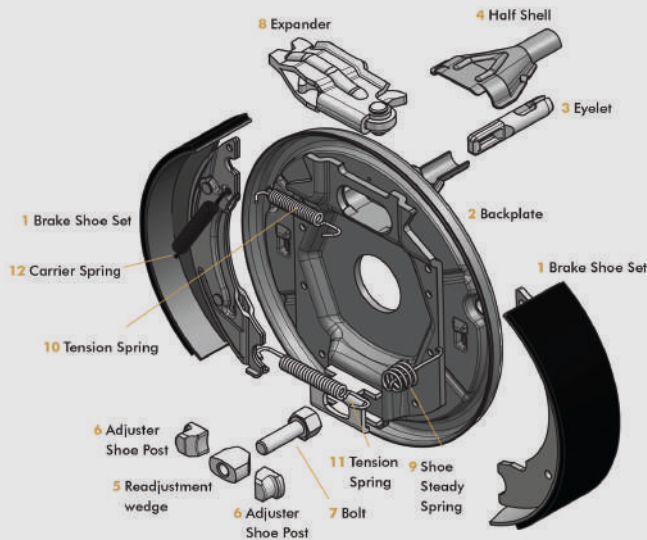
NOT SURE HOW TO MEASURE YOUR PCD?

WE'RE HERE TO HELP!



SCAN TO LEARN HOW TO MEASURE YOUR PCD

Knott Brakes



DESC	250 x 40
1 Genuine Brake Shoe Kit (Axle Set with all Springs)	17.1036G
1 Non-Geniune Brake Shoe Kit (Axle Set with all Springs)	17.1036
* Brake Cable	See below
3 Eyelet	17.1010
4 Half Shell	17.1007
5 Readjustment Wedge	17.1014
6 Adjuster Shoe Post	17.1019
7 Bolt	17.1025
8 Expander	17.1029

DESC	250 x 40
9 Shoe Steady Spring	17.1041
10 Tension Spring (next to Expander)	17.1046
11 Tension Spring (next to Adjuster)	17.1045
12 Carrier Spring	17.1048
* Spring Buckle	-
Complete Adjuster Kit	17.1057
Warrior Spring Kit	17.1058
Auto-Adjusting Brake Shoe Kit	17.1076

Knott Detachable Brake Cables



Code

18.1013 Knott Type Detachable Brake Cable (Outer 1230mm | Inner 1440mm)

18.1026 Genuine Knott Detachable Brake Cable (Outer 2130mm | Inner 2340mm)

M10 Brake Rod



Code

16.0002 3 meter M10 Threaded Rod

**TO RECEIVE
MARKETING
& PROMOTIONAL
OFFERS**



EMAIL: MARKETING@ATE-UK.COM

**Meredith & Eyre
250 x 40 Brake
Drum**



Code

19.8012 Meredith & Eyre 250 x 40
(5 Stud 6 1/2" PCD) Brake
Drum

**Taper Roller
Bearings**



Code

20.0021 Taper Roller Bearing
(18690/18620)
20.0027 Taper Roller Bearing
(48548/48510)

Oil Seal



Code

20.3021 Oil Seal (318.206.45SC)

**3/4" UNF
Castle Nut**



Code

21.3018 3/4" UNF Castle Nut

**Meredith &
Eyre 73mm
Grease Cap**



Code

21.0018 Meredith & Eyre 73mm
Grease Cap

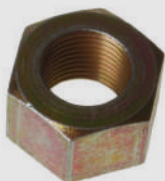
**5/8" UNF
Wheel Stud**



Code

21.1014 5/8" UNF Wheel Stud

**5/8" UNF
Conical Wheel
Nut**



Code

21.2007 5/8" UNF Conical Wheel
Nut

**24mm Wheel
Sentry Kit**



Code

21.2047 24mm Wheel Sentry Kit
5 Stud 6 1/2" PCD C/W
Safe Band - Set To Suit 4
Wheels

WHEELSENTRY



**2 IN 1
& INDICATOR
& RETAINER**

EXTERNAL LIGHTING & TOWING ELECTRICS

MINILED II 12/24V Rear Combination Lamp



Code

27.0263 MiniLED II 12/24V LED 3 Function Rear C/W 5 Pin Plug

27.0264 MiniLED II 12/24V LED Fog / Reverse Lamp C/W 5 Pin Plug

6'6" Light Board



Code

29.0036K 6'6" Light Board C/W 13 Pin 1m Cable, Fog Lamp (Bulb Version) & Mounting Bracket

LED Front Marker Lamp



Code

27.2064 12/24V LED Front Marker Lamp (98mm x 32mm)

Proplast Front Marker Lamp

IMAGE
COMING
SOON

Code

27.2068 Proplast Front Marker Lamp 12/24V LED White (130 x 32mm)

Aspoeck LED Red/White Marker Lamp



Code

ZZ6851 Aspoeck LED Red/White Marker Lamp

Rubber LED Red/White Marker Lamp



Code

27.3020 12/24V Rubber LED Red/White Marker Lamp

7 Pin Plastic Socket



Code

12.2010 7 Pin 12V 'N' Type Plastic Socket

13 Pin Plastic Socket



Code

12.2015 12V 13 Pin Plastic Socket

13 To 7 Pin Converter



Code

26.5009 13 Pin to 7 Pin 'N' Type Converter

7 To 13 Pin Converter



Code

26.5008 7 Pin 'N' Type to 13 Pin Converter

2.5m 13 Pin Extension Lead (Plug / Plug)



Code

26.5026 2.5m 13 Pin Extension Lead (Plug / Plug)

3m 13 Pin Extension Lead (Plug / Plug)



Code

26.5028 3m 13 Pin Curly Extension Lead (Plug / Plug)

Fixed Inlet Plug



Code

39.1012 Fixed Inlet Plug C/W Locking Ring IP67, 230V, 32A

Front Position Lamp & Reflector



Code

27.2008 Clear Front Position Lamp & Reflector

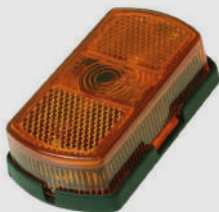
Rear Reflective Triangle



Code

28.2001 Rear Reflective Triangle

Amber Side Marker Lamp



Code

27.5012 Amber Side Marker Lamp

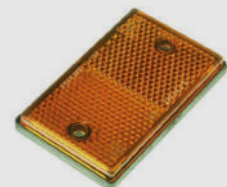
Aspoeck Flexipoint Side Marker Lamp



Code

27.5048 Aspoeck Flexipoint LED 12/24V Side Marker Lamp C/W 0.5m DC

Oblong Self-Adhesive Amber Reflector



Code

28.1005 Oblong Self-Adhesive Amber Reflector

Aspoeck Regpoint Number Plate Lamp



Code

27.8021 Aspoeck Regpoint II 12/24V LED Number Plate Lamp 0.8m Cable

Marker Lamp



Code

27.3009-B Marker Lamp

27.2021 White Lens

27.3010 Red Lens

AJBA FP40 Rear Combination Lamp



Code

27.0249 AJBA FP40 Horizontal 6 Function Rear Combination Lamp (L/H)

27.0250 AJBA FP40 Horizontal 6 Function Rear Combination Lamp (R/H)

INTERNAL LIGHTING

Interior LED Lamp



Code

27.9036 Interior 12/24V LED Lamp C/W PIR - 130mm Ø

Round Interior Light

IMAGE COMING SOON

Code

27.9037 Round 197mm 72-LED Interior Light 1150LM - 12/24V

Oval Interior Lamp



Code

27.9038 Oval Interior Lamp 45 LED's - 12/24V With PIR

PIR Occupancy Sensor Light Switch



Code

80.3028 PIR Occupancy Sensor Light Switch, Surface Mount

10A 1 Gang 1-Way Switch



Code

80.3052 Switch 10A 1 Gang 1-Way Industrial

CREATE A

TRADE ACCOUNT

& ORDER AT YOUR CONVENIENCE

ATE-UK.COM



ELECTRICS 12 & 240V

13A DP Switched Fuse Spur



Code

80.3017 13A DP Switched Fuse Spur - White

USB Two Port Socket Charge



Code

80.3027 12/24V USB Two Port Socket Charge (36.5mm Ø) To Suit 29mm Ø Panel Hole

Battery Isolator Switch



Code

80.3048 Box Mounted Battery Isolator Switch 300A W/ Red Control Knob

Make & Break 4-Pin Relay C/W Diode



Code

26.2037 12V 40A Make & Break 4-Pin Relay C/W Diode

GTEC 6kA MCB Single Pole Type B



Code

80.3049 GTEC 6kA MCB Single Pole Type B 6A

80.3050 GTEC 6kA MCB Single Pole Type B 10A

GTEC 6KA Mini Circuit Breaker Type C



Code

80.3015 GTEC 6KA Mini Circuit Breaker Type C 16A Single Pole

GTEC 6kA 2 Pole RCCB 230V 40A



Code

80.3051 GTEC 6kA 2 Pole RCCB 230V 40A

Deep Cycle AGM Battery



Code

38.4106 Deep Cycle AGM Battery 12V 140AH



ORDER BEFORE
4.30PM

FOR NEXT WORKING
DAY DELIVERY

*Guaranteed for UK mainland customers only.

ENGINE PARTS

In-Line Fuel Filter - Hatz

RED BOX
HATZ 1B40

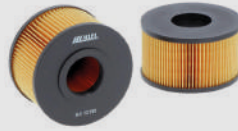


Code

80.6007 In-Line Fuel Filter - Hatz

Air Filter

RED BOX
HATZ 1B40



Code

80.6008 Air Filter To Suit Hatz 1B40 Engine

Oil Pressure Switch

RED BOX
HATZ 1B40



Code

80.6003 Oil Pressure Switch To Suit Hatz 1B40

Starter Motor

RED BOX
HATZ 1B40

IMAGE
COMING
SOON

Code

80.6004 Starter Motor To Suit Hatz 1B40

Oil Strainer

RED BOX
HATZ 1B40



Code

80.6009 Oil Strainer To Suit Hatz 1B20-40

Primary Fuel Filter

RED BOX
HATZ 1B40

RED BOX
YANMAR
L70

STEPHILL
YANMAR
L100N



Code

80.6010 Primary Fuel Filter 90 Degree

Fuel Filter

RED BOX
HATZ 1B40



Code

80.6011 Fuel Filter To Suit Hatz 1B20-40 Engine

Oil Filter

RED BOX
HATZ 1B40

STEPHILL
YANMAR
L100N



Code

80.6012 Oil Filter To Suit Redbox Infinity 1B40/L100/L70 3/4"

Fuel Stop Solenoid

RED BOX
HATZ 1B40



Code

80.6005 Fuel Stop Solenoid To Suit Hatz 1B40

Injection Pump

RED BOX
HATZ 1B40



Code

80.6006 Injection Pump To Suit Hatz 1B40 Engine

Single Terminal Oil Pressure Switch

RED BOX
YANMAR
L70



STEPHILL
YANMAR
L100N

Code

80.1003 Single Terminal Oil Pressure Switch To Suit Yanmar L48, L70 & L100N

Fuel Stop Solenoid

RED BOX
YANMAR
L70



STEPHILL
YANMAR
L100N

Code

80.1008 Fuel Stop Solenoid To Suit Yanmar L70 & L100

Starter Motor

RED BOX
YANMAR
L70



STEPHILL
YANMAR
L100N

Code

80.1007 Starter Motor To Suit Yanmar L40, L48N, L70N & L100N

Oil Strainer

RED BOX
YANMAR
L70



STEPHILL
YANMAR
L100N

Code

80.1000 Oil Strainer To Suit Yanmar L48N, L70N & L100N

Charging Regulator Harness

RED BOX
YANMAR
L70

IMAGE
COMING
SOON

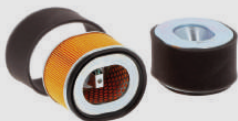
STEPHILL
YANMAR
L100N

Code

80.1012 Charging Regulator Harness To Suit Yanmar 7 Wire C/W Fuse

Air Filter

STEPHILL
YANMAR
L100N

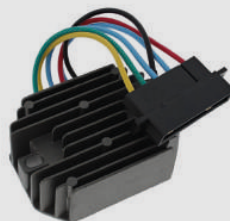


Code

80.1005 Air Filter To Suit Yanmar L48N, L70N & L100N

Voltage Regulator

STEPHILL
YANMAR
L100N

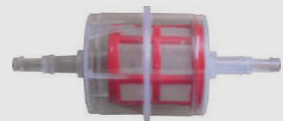


Code

80.1010 Voltage Regulator 15A 5 Wire & Earth To Suit Yanmar L100N

Universal In-Line Diesel Fuel Filter

STEPHILL
YANMAR
L100N

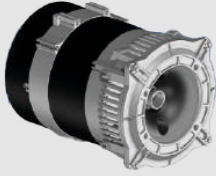


Code

80.0028 Universal In-Line Diesel Fuel Filter To Suit 6-8mm Hose

GENERATOR SPARES

Mecc Alte Alternator S20W/110



Code

80.3021 Mecc Alte Alternator S20W/110 J609B Taper Shaft - 7KVA

Mecc Alte Alternator S20W/110



Code

80.3024 Mecc Alte Alternator S20W/110 B9/30 Z170

Mecc Alte Alternator S20W/95



Code

80.3022 Mecc Alte Alternator S20W/95

Capacitor 35UF 450V C/W Spade Terminals



Code

80.3002 Capacitor 35UF 450V C/W Spade Terminals (123mm x 40mm)

Positive / Negative Battery Connectors



Code

38.1010 Positive / Negative Battery Connectors

NC Auxiliary Contact Block



Code

80.3046 NC Auxiliary Contact Block

Mecc Alte Alternator S16W/90



Code

80.3047 Mecc Alte 3.5KVA Alternator S16W/90 Suits Yanmar L70

Make & Break 4-Pin Relay C/W Diode



Code

26.2037 12V 40A Make & Break 4-Pin Relay C/W Diode

STAY CONNECTED



ATEUKLTD



@ATEGROUPLTD



ATE UK



ate_uk

HYDRAULIC PARTS

Single Pole Battery Cut-Off Switch



Code

26.0001 Single Pole Battery Cut-Off Switch

12V Hydraulic Power Pack



Code

34.5073 12V Hydraulic Power Pack - 4 L Reservoir

NOT SURE WHAT YOU NEED?

WE'RE HERE TO HELP

GET IN CONTACT WITH OUR FRIENDLY TEAM:

T: 01206 795949

E: SALES@ATE-UK.COM

W: ATE-UK.COM



WATER FITTINGS & TOILET ROOM PARTS

Whale High Flow Submersible Pump



Code

34.5064 Whale High Flow Submersible Pump 12V 15.8LPM

Whale Inline Pressure Switch



Code

34.5065 Whale Inline Pressure Switch

Water Carrier - 20 Ltr



Code

34.5066 Water Carrier 20Ltr C/W Tap

Female Straight Reducer



Code

34.5067 15mm-12mm Female Straight Reducer

Steel Hose Clip



Code

34.3276 13-20mm (00) Steel Hose Clip

Jabsco Water Pump



Code

34.5068 Jabsco Water Pump 12V (11LPM) 25PSI

Jabsco Fresh Water Pump Inlet Filter

IMAGE COMING SOON

Code

34.5069 Jabsco Fresh Water Pump Inlet Filter / 90° 1/2" Male Thread

Whale Babyfoot Pump



Code

34.5072 Whale Babyfoot Pump C/W Hose Tails

Dometic Sealand 510 Toilet Pedal Cover



Code

34.5060 Dometic Sealand 510 Toilet Pedal Cover

Dometic Sealand 511/911 Spring Cartridge



Code

34.5070 Dometic Sealand 511/911 Spring Cartridge

Gusher Recirculating Toilet Pump



Code

34.5071 Whale Gusher Underdeck Mounted Recirculating Toilet Pump

Dometic Sealand Half Ball Shaft & Spring Cartridge



Code

34.5059 Dometic Sealand 511/911 Half Ball Shaft & Cartridge Kit

HEATING SPARES

Heater Fan Plinth - 3 Heat Settings



Code

80.7041 Heater Fan Plinth 3 Heat Settings (IP20) 480 x 125 x 220mm

Air Top Evo 40 Vehicle Universal Kit



Code

80.7018 Air Top Evo 40 Vehicle Universal Kit 12V

Webasto Air Top Heater Service Kit



Code

80.7029 Webasto Air Top Evo 3900/5500 12V Heater Service Kit

80.7019 Webasto Air Top Evo 40/55 12V Heater Service Kit

Webasto Air Top Marine Heater Harness



Code

80.7034 Webasto Air Top Evo 3900/5500 & Evo 40/55 Marine Heater Harness

Webasto Air Top Drive Assembly



Code

80.7035 Webasto Air Top Evo 40/55 Drive Assembly C/W Fuel Pump Wiring Harness

Webasto Air Top Control Unit ECU



Code

80.7036 Webasto Air Top Evo 3900 Control Unit ECU 12V

Fuel Dosing Pump - 12V



Code

80.7005 Fuel Dosing Pump 12V With Damper

Webasto Air Top Universal Heater Kit



Code

80.7009 Webasto Air Top 2000STC 12V Universal Heater Kit Diesel Rotary Control & 1 Outlet Ducting Kit

Webasto Air Top Heater Service Kit



Code

80.7010 Webasto Air Top 2000ST/STC 12V Heater Service Kit

Webasto Air Top Blower Motor Drive - 12V



Code

80.7037 Webasto Air Top 2000STC Blower Motor Drive 12V

Webasto Air Top Burner



Code

80.7011 Webasto Air Top 2000ST/STC Burner

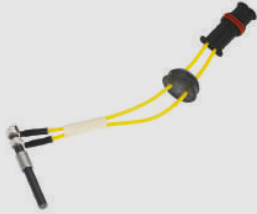
Webasto Air Top Overheat Sensor



Code

80.7014 Webasto Air Top 2000ST Overheat Sensor

Webasto Air Top Heater Glow Pin



Code

80.7012 Webasto Air Top 2000ST/STC Heater Glow Pin

Webasto Air Top Gasket



Code

80.7013 Webasto Air Top 2000S/ST/STC Gasket

Webasto Air Top Control Unit 12V Diesel

IMAGE
COMING
SOON

Code

80.7038 Webasto Air Top 2000ST Control Unit 12V Diesel

Webasto Heater Air Top Remote Temperature Sensor



Code

80.7015 Webasto Heater Air Top 2000ST/STC Remote Temperature Sensor

Webasto Wiring Harness



Code

80.7039 Webasto Wiring Harness - Air Top 2000STC RV Multicontrol Version

Webasto Heater Controller Rheostat



Code

80.7022 Webasto Heater Controller Rheostat 12/24V

Webasto Time Delay Relay



Code

80.7040 Webasto Time Delay Relay 30min 24V AT2000ST/AT EVO 39/55

Webasto Fuel Pump



Code

80.7017 Webasto Fuel Pump To Suit Air Top 2000STC/Thermo Pro 12/24V

80.7021 Webasto Heater Fuel Pump Air Top 2000STC / Thermo Pro 12/24V Without Damper

Webasto Combustion Air Silencer



Code

80.7023 Webasto Air Top Evo Combustion Air Silencer

CABIN FITTINGS

Black Pull Handle



Code

34.0126 Black Coated Aluminium Pull Handle (238mm Fixing Centres)

700W Microwave



Code

80.4002 700W 20 Ltr Microwave - White

1.8L Cordless Kettle



Code

80.4001 1.8L Cordless Kettle 2KW - Stainless Steel

80.4000 1.8L Cordless Kettle - 2.2KW - White

Battery Carbon Monoxide Alarm



Code

80.4006 Battery Carbon Monoxide Alarm

12mm Spring Bolt



Code

34.1072 12mm Spring Bolt (Base Plate 75 x 40mm)

Retainer Set for Window / Door



Code

80.4003 Retainer Set for Window / Door

Self-Aligning Door Retainer Set



Code

34.1079 Self-Aligning Door Retainer Set - White Plastic

MON - FRI: 7:30AM - 4:30PM

Select collection when you place your order and pick up from our Head Office at Haven Road:

ATE (UK) LTD

& CLICK COLLECT

**RIGHT PART,
ON TIME,
EVERY TIME.**



T: 01206 795949

E: sales@ate-uk.com

w: ate-uk.com

ATE (UK) Ltd

Anglia House, Haven Road,
Colchester, Essex, CO2 8HT



**SCAN FOR OUR
WEBSITE!**

